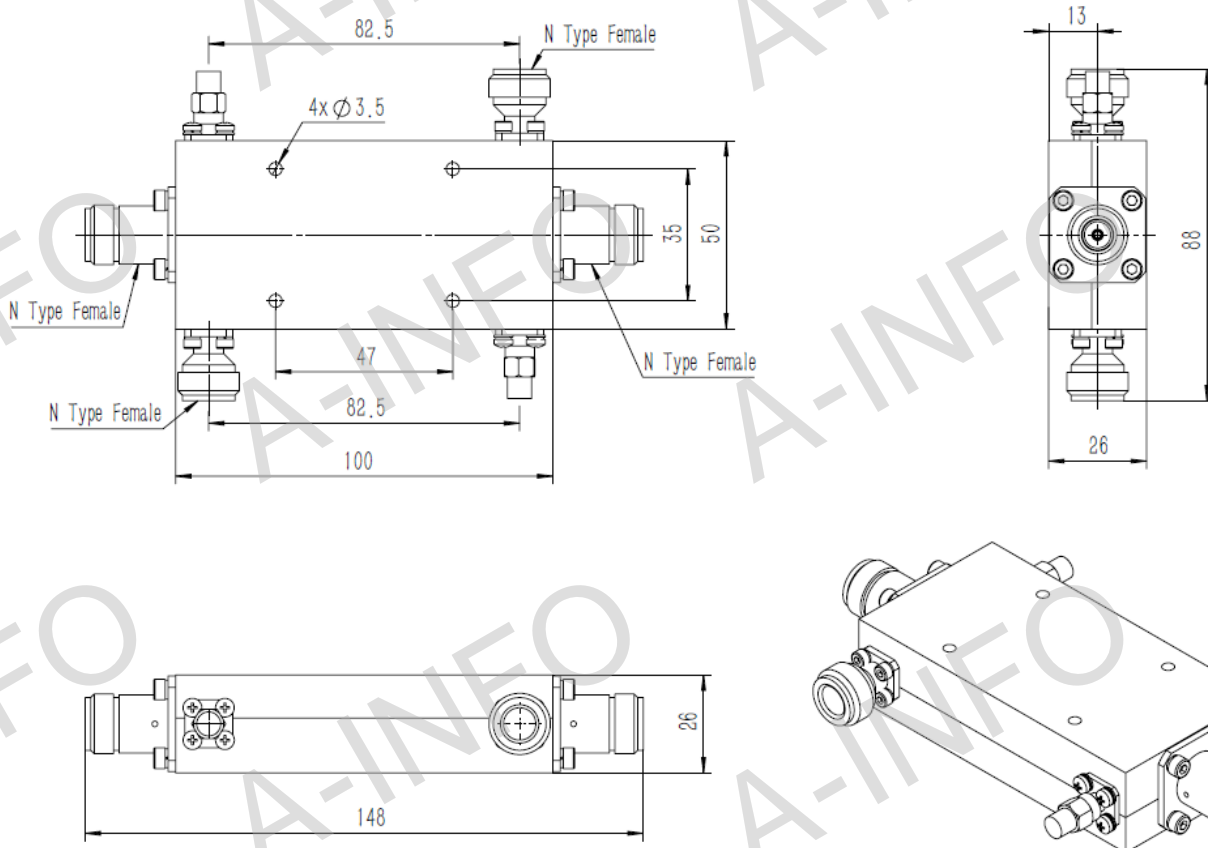


## Technical Specification



Freq. Range(GHz)	0.7-6.0
Coupling(dB)	41
Accuracy(dB)	±1.1 Max. (Including Flatness)
Flatness(dB)	±0.8 Max.
Directivity(dB)	15 Min.; 18 Typ.
Mainline VSWR	1.20:1 Max.
Coupled VSWR	1.50:1 Max.
Insertion Loss(dB)	0.19 Max. (Not including the theoretical loss $4.34 \times 10^{-4}$ dB)
Power Handling (W)	250 CW Max.
Input Connector	N-Female
Output Connector	N-Female
Coupled Connector	N-Female
Material	Al
Size(mm)	148 x 88 x 26
N. W.(Kg)	0.03 Around

## Outline Drawing (Size: mm)



AINFO Inc.

Page 1 of 3

China(Beijing):  
China(Chengdu):  
USA :

Tel: (+86) 10-6266-7326,  
Tel: (+86) 28-8519-2786,  
Tel: (+1) 949-639-9688,

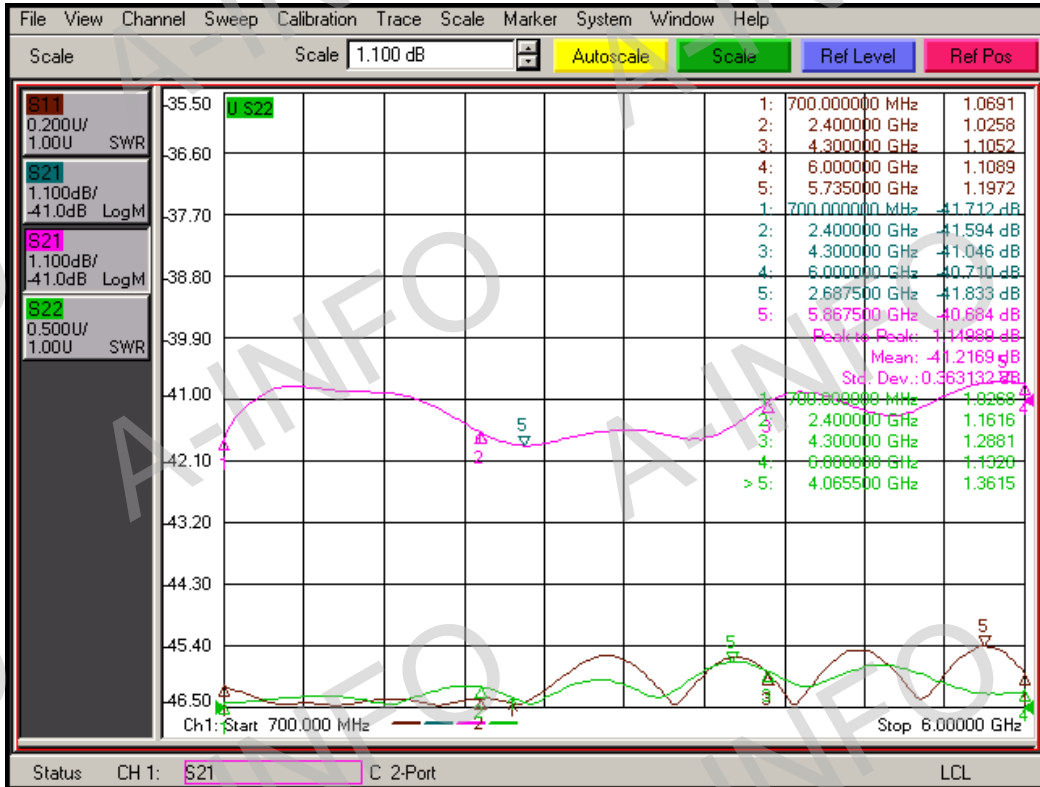
(+86) 10-6266-7327  
(+86) 28-8519-3044  
(+1) 949-639-9608

Fax: (+86) 10-6266-7379  
Fax: (+86) 28-8519-3068  
Fax: (+1) 949-639-9670

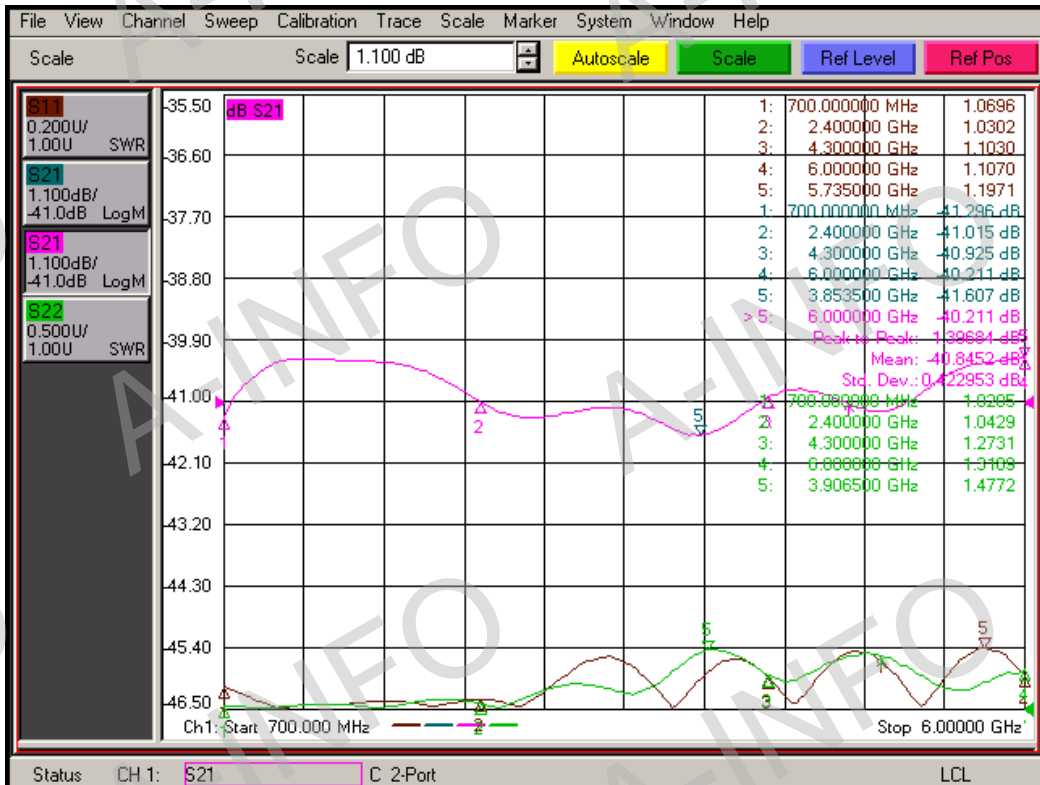
Website: [www.ainfoinc.com](http://www.ainfoinc.com)  
Email: [sales@ainfoinc.com](mailto:sales@ainfoinc.com)

## Test Results

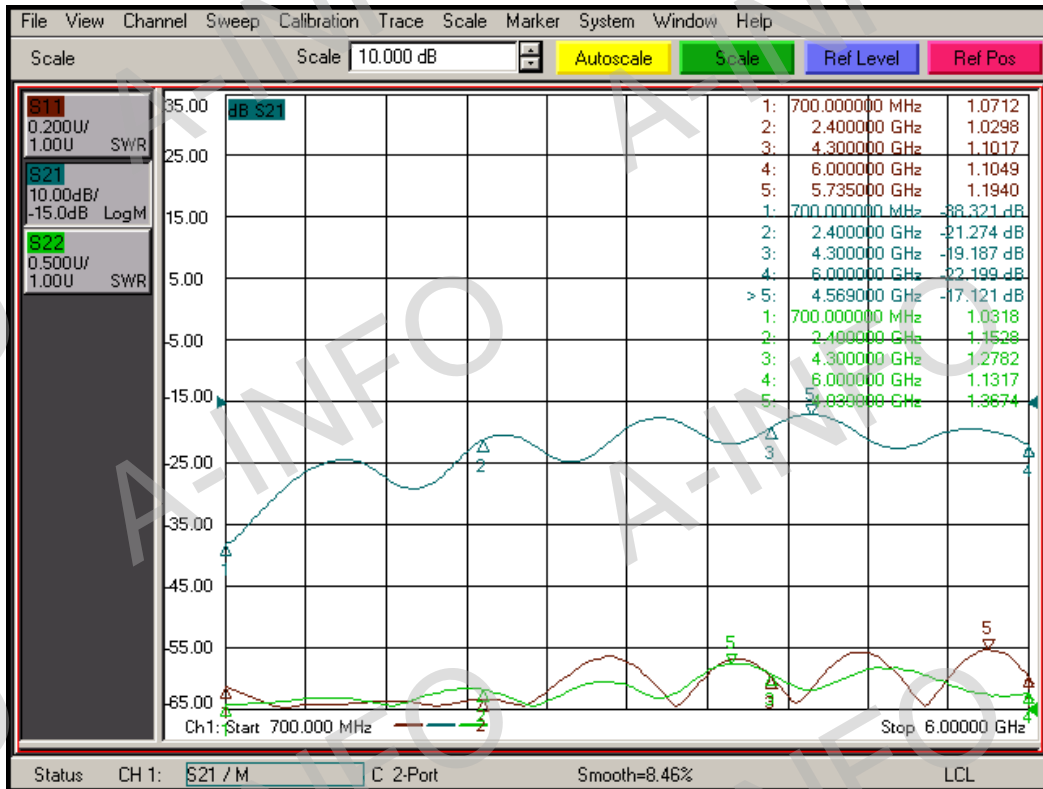
### Coupling – Port 1



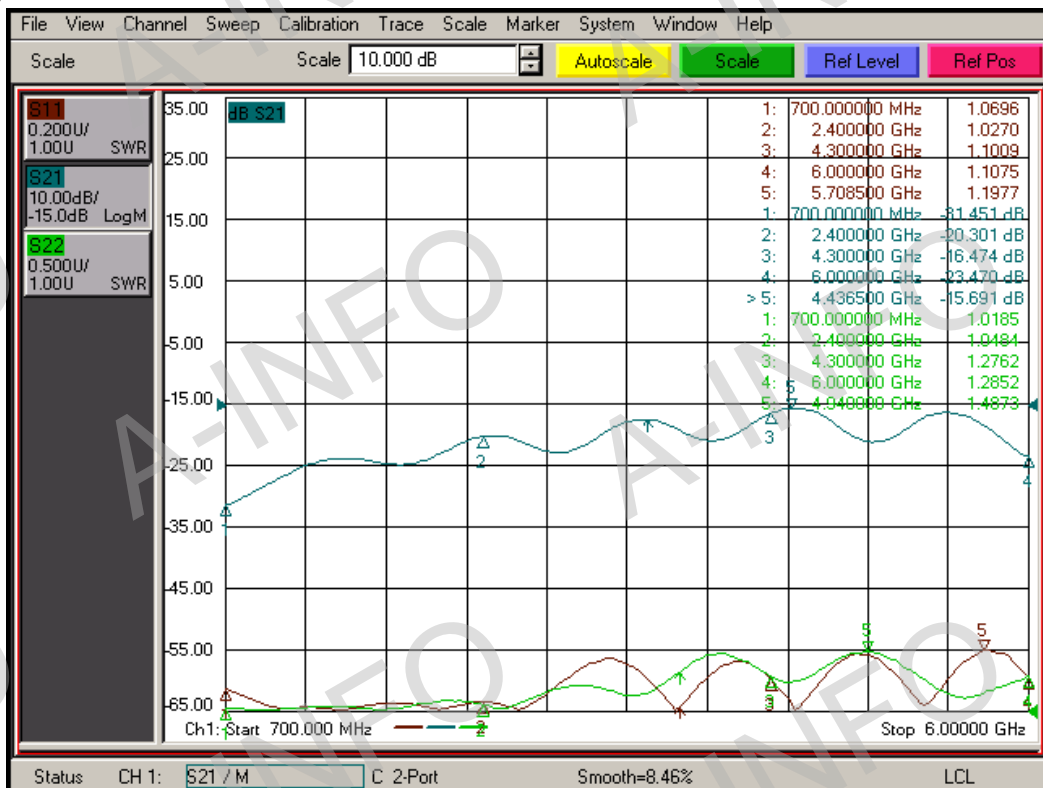
### Coupling – Port 2



## Directivity – Port 1



## Directivity – Port 2



## Insertion Loss (Including the theoretical loss $4.34 \times 10^{-4}$ dB) & VSWR

