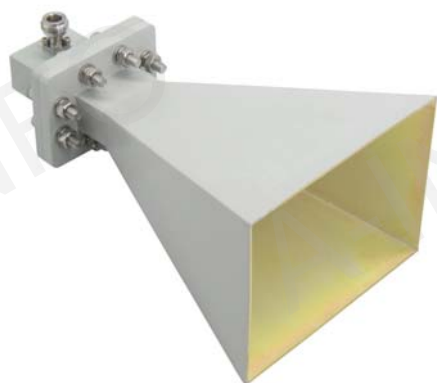


Technical Specification

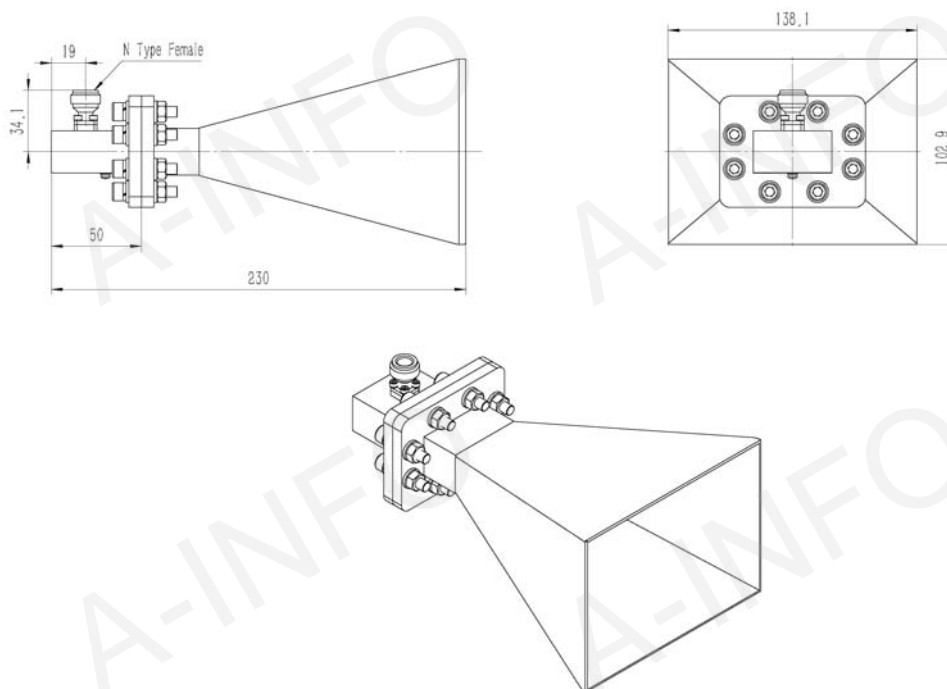


Frequency Range(GHz)	4.0 - 8.0
Gain(dBi)	15 Typ.
Polarization	Linear
3dB Beamwidth(deg)	E Plane: 32 - 17
	H Plane: 33 - 18
Cross Pol. Isolation(dB)	35 Typ.
VSWR	1.50:1 Typ.
Output	N-Female or SMA-Female or TNC-Female or 7mm or 3.5mm-Female
Power Handling(W CW)	N-Female: 150 Max.
	SMA-Female: 50 Max.
	TNC-Female: 150 Max.
	7mm: 150 Max.
	3.5mm-Female: 50 Max.
Material	Al
Size(mm)	138.1 x 102.9 x 230
Net Weight(Kg)	0.50 Around

Outline Drawing (Size: mm)

N-Female Output (P/N: LB-OH-159-15-C-NF)

For SMA-Female, TNC- Female, 7mm or 3.5mm-Female output outline drawing, please contact A-INFO.



AINFO Inc.

Page 1 of 8

China(Beijing):
China(Chengdu):
USA :

Tel: (+86) 10-6266-7326,
Tel: (+86) 28-8519-2786,
Tel: (+1) 949-639-9688,

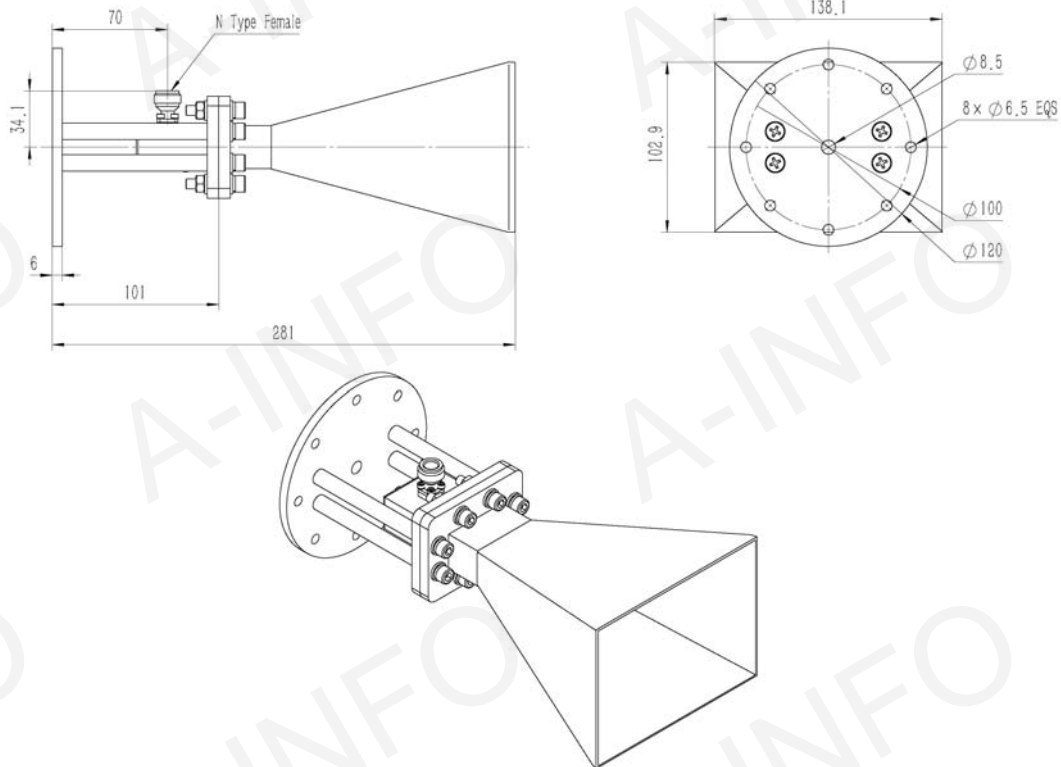
(+86) 10-6266-7327
(+86) 28-8519-3044
(+1) 949-639-9608

Fax: (+86) 10-6266-7379
Fax: (+86) 28-8519-3068
Fax: (+1) 949-639-9670

Website: www.ainfoinc.com
Email: sales@ainfoinc.com

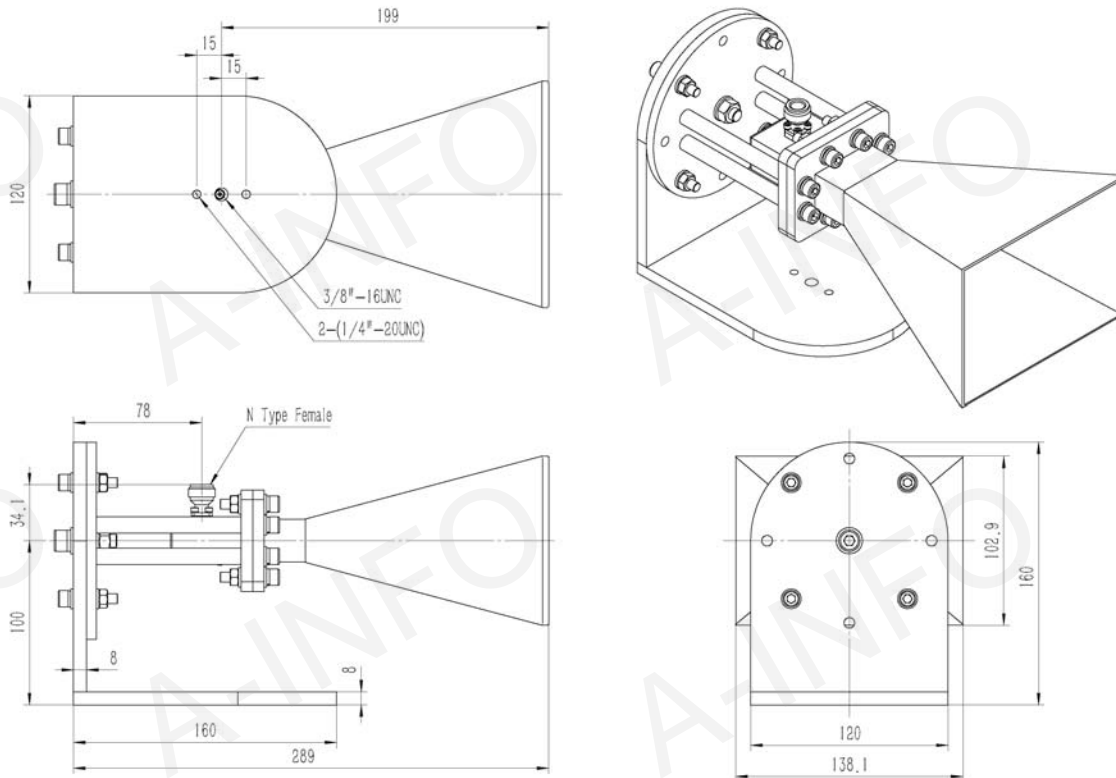
N-Female Output with Round Mounting Bracket (Option, P/N: LB-159-10-C-MB)

For SMA-Female, TNC- Female, 7mm or 3.5mm-Female output outline drawing, please contact A-INFO.



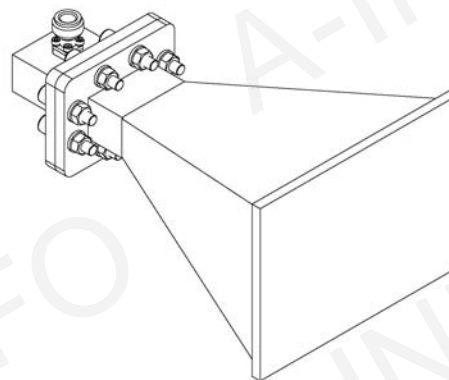
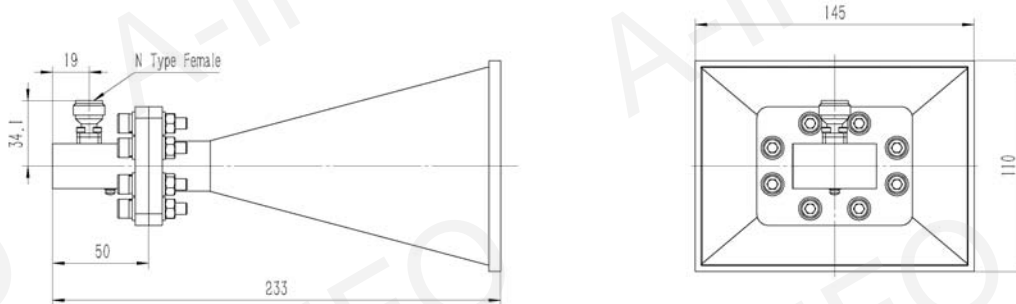
N-Female Output with L Type Mounting Bracket (Option, P/N: LB-159-10-C-MBL)

For SMA-Female, TNC- Female, 7mm or 3.5mm-Female output outline drawing, please contact A-INFO.



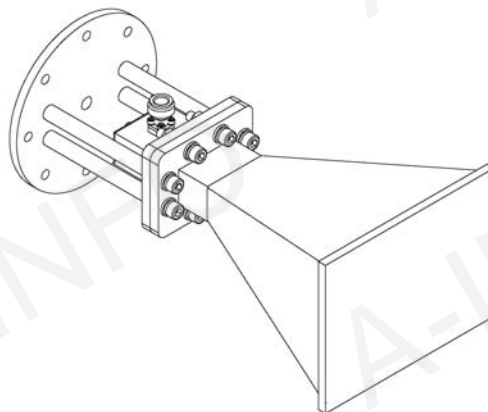
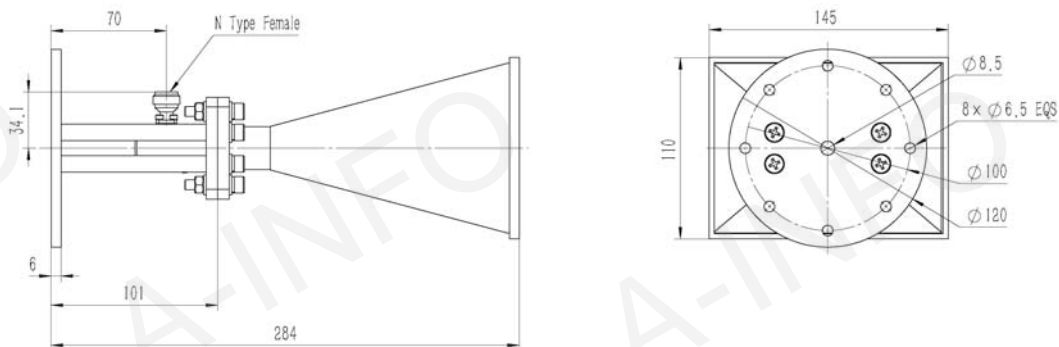
N-Female Output with Radome (Option, P/N: LB-OH-159-15-C-NFSP0, Outdoor Application)

For SMA-Female, TNC- Female, 7mm or 3.5mm-Female output outline drawing, please contact A-INFO.



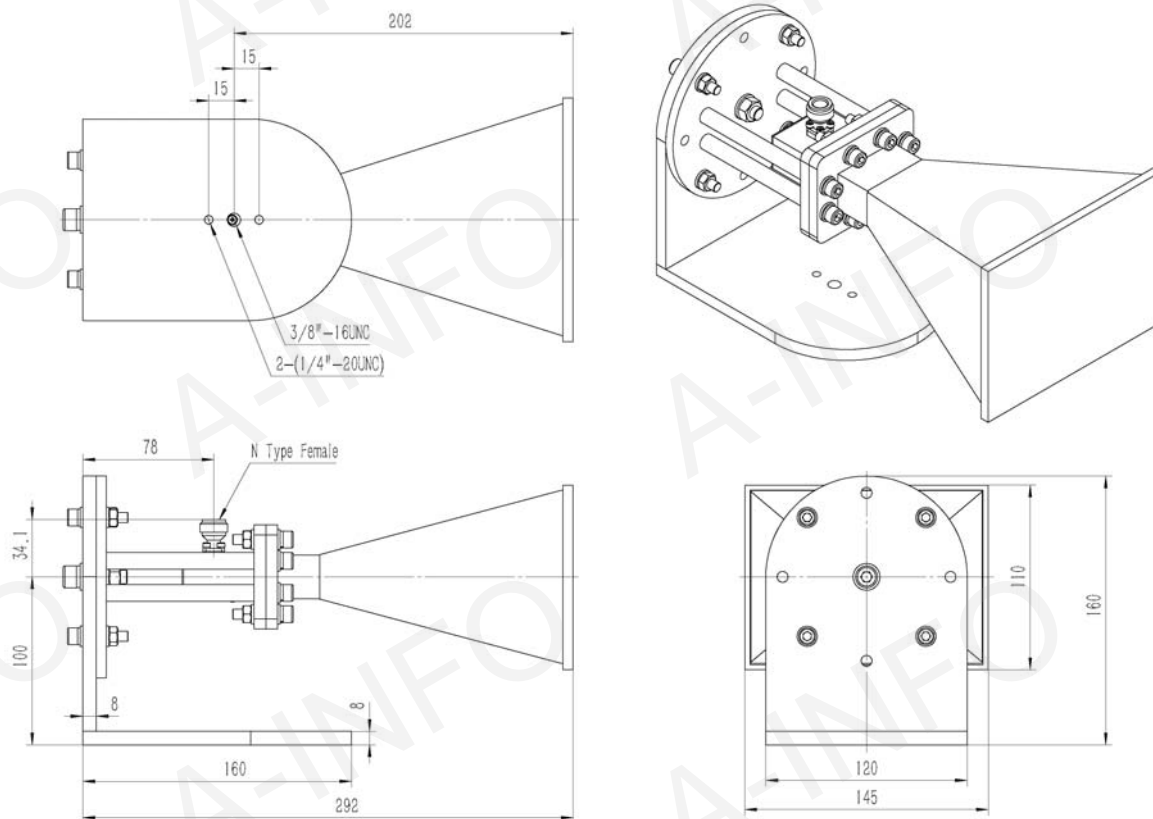
N-Female Output with Round Mounting Bracket & Radome (Option, P/N: LB-159-10-C-MB & LB-OH-159-15-C-NFSP0, Outdoor Application)

For SMA-Female, TNC- Female, 7mm or 3.5mm-Female output outline drawing, please contact A-INFO.



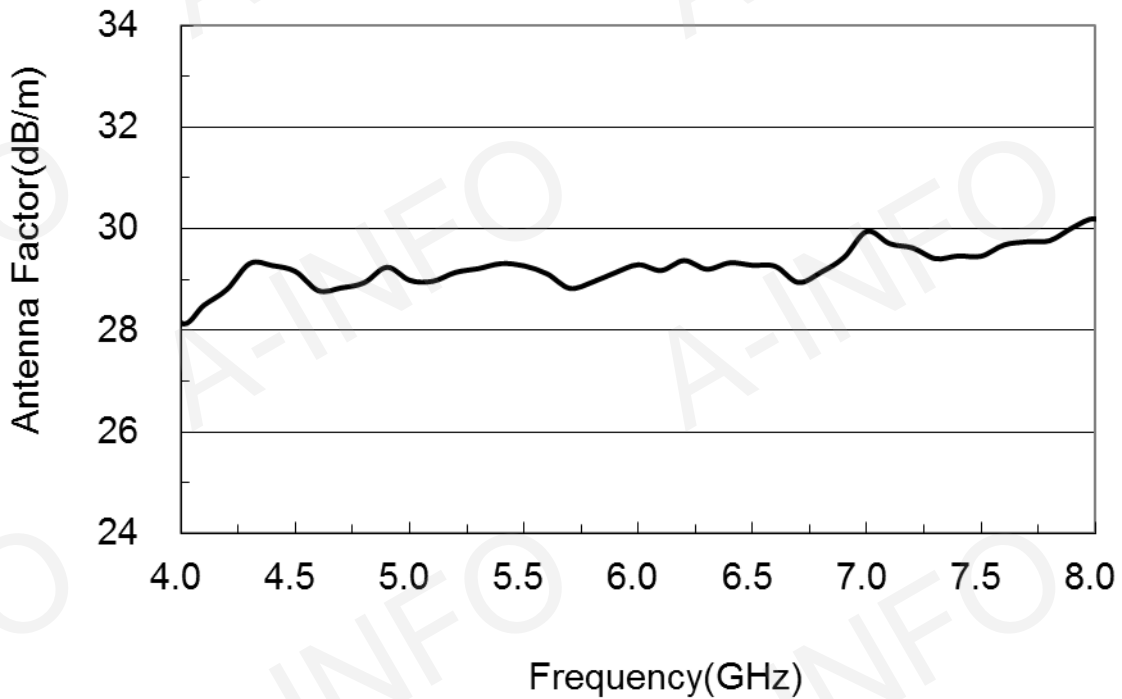
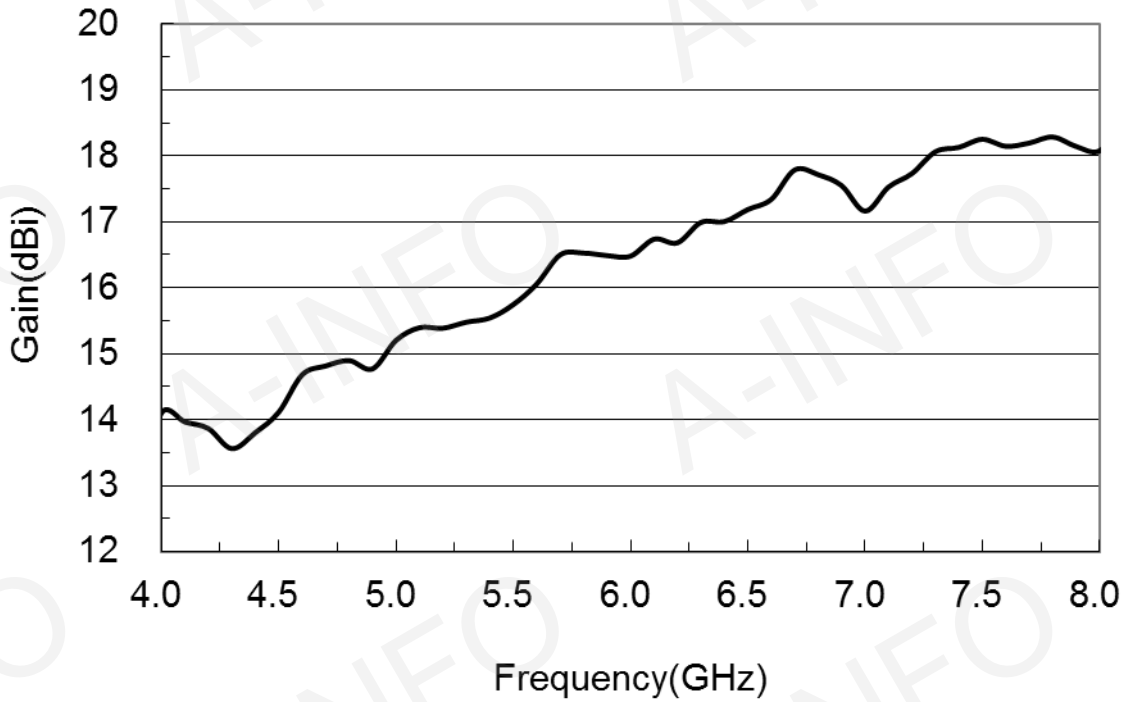
N-Female Output with L Type Mounting Bracket & Radome (Option, P/N: LB-159-10-C-MBL & LB-OH-159-15-C-NFSP0, Outdoor Application)

For SMA-Female, TNC- Female, 7mm or 3.5mm-Female output outline drawing, please contact A-INFO.

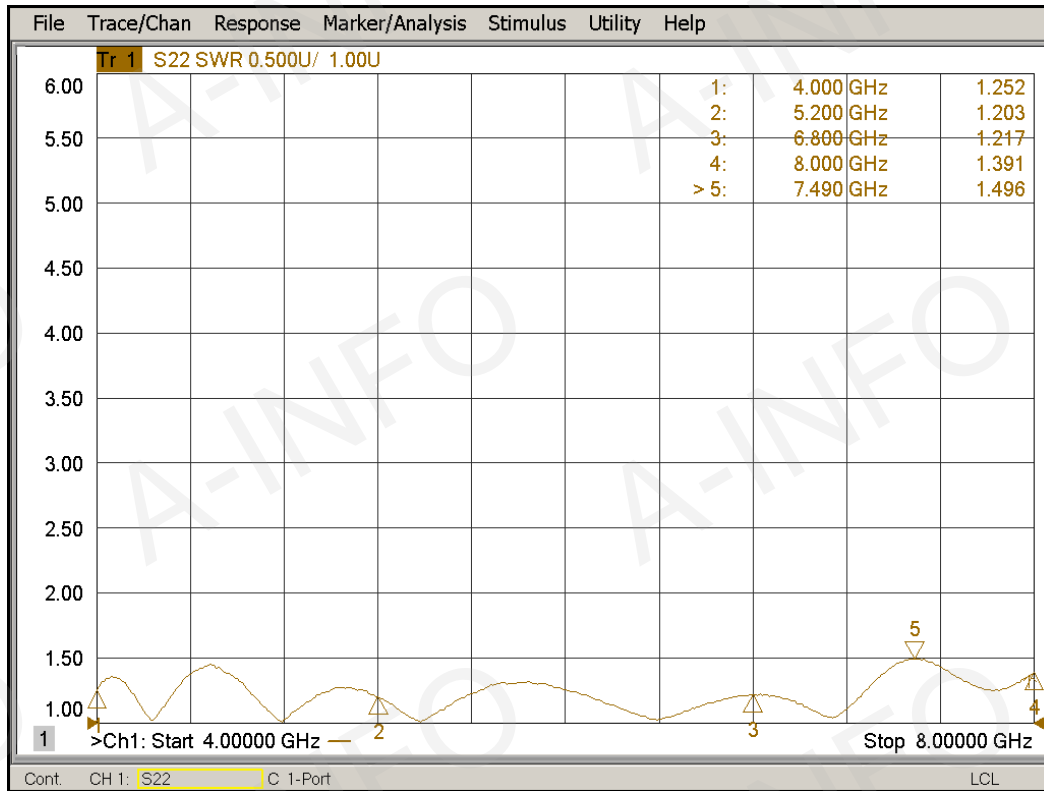


Test Results

1. Gain & Antenna Factor



2. VSWR



3. Pattern

