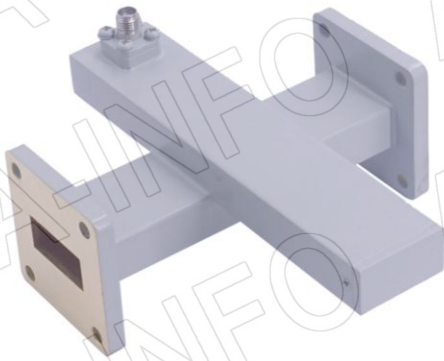


Technical Specification

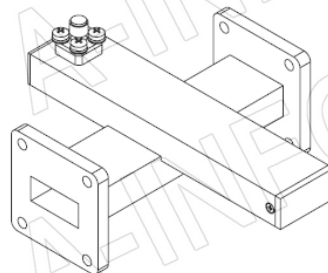
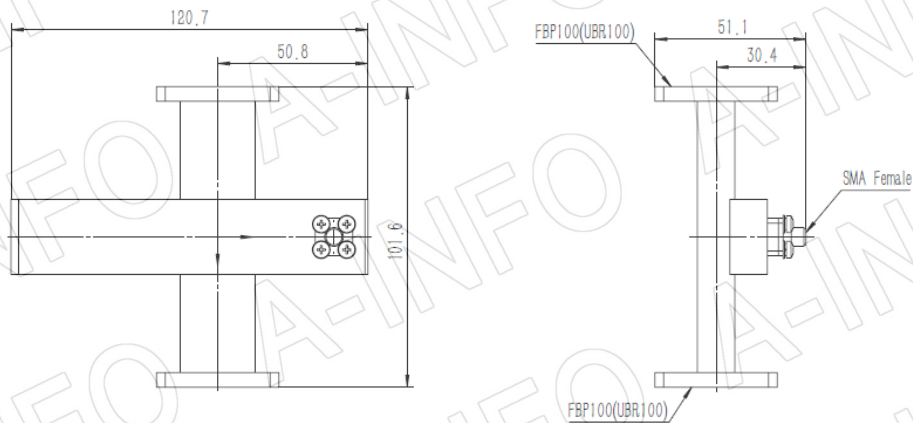


EIA WR	WR90
Frequency Range(GHz)	8.2 - 12.4
Coupling(dB)	60
Coupling Accuracy(dB)	±0.7 Max.
Frequency Sensitivity(dB)	±1.0 Max.
Directivity(dB)	18 Min.
Insertion Loss(dB)	0.1 Max. (Not including the theoretical loss 4.34×10^{-6} dB)
Mainline VSWR	1.05:1 Max.
Secondline VSWR	1.25:1 Max.
Flange	FBP100(UBR100)
Coupling Port	SMA-Female/SMA-Male
Material	Cu
Size(mm)	120.7 x 101.6 x 51.1
Net Weight(Kg)	0.35 Around

Outline Drawing (Size: mm)

Coupling Port: SMA -Female

For SMA-Male connector Coupling Port outline drawing, please contact A-INFO.



AINFO Inc.

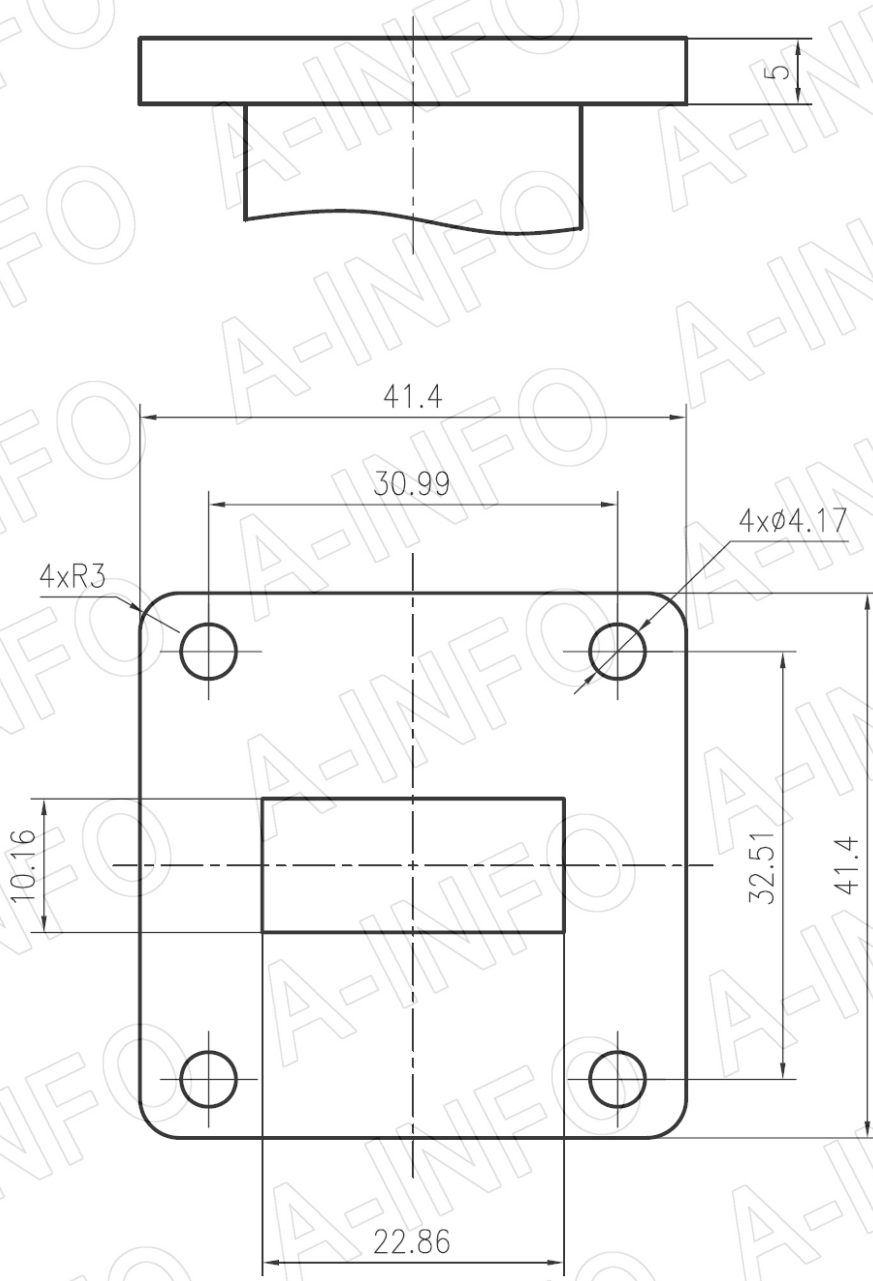
Page 1 of 5

China(Beijing): Tel: (+86) 10-6266-7326,
China(Chengdu): Tel: (+86) 28-8519-2786,
USA: Tel: (+1) 949-639-9688,

(+86) 10-6266-7327 Fax: (+86) 10-6266-7379
(+86) 28-8519-3044 Fax: (+86) 28-8519-3068
(+1) 949-639-9608 Fax: (+1) 949-639-9670

Website: www.ainfoinc.com
Email: sales@ainfoinc.com

Flange Drawing (Size: mm)



FBP100

AINFO Inc.

Page 2 of 5

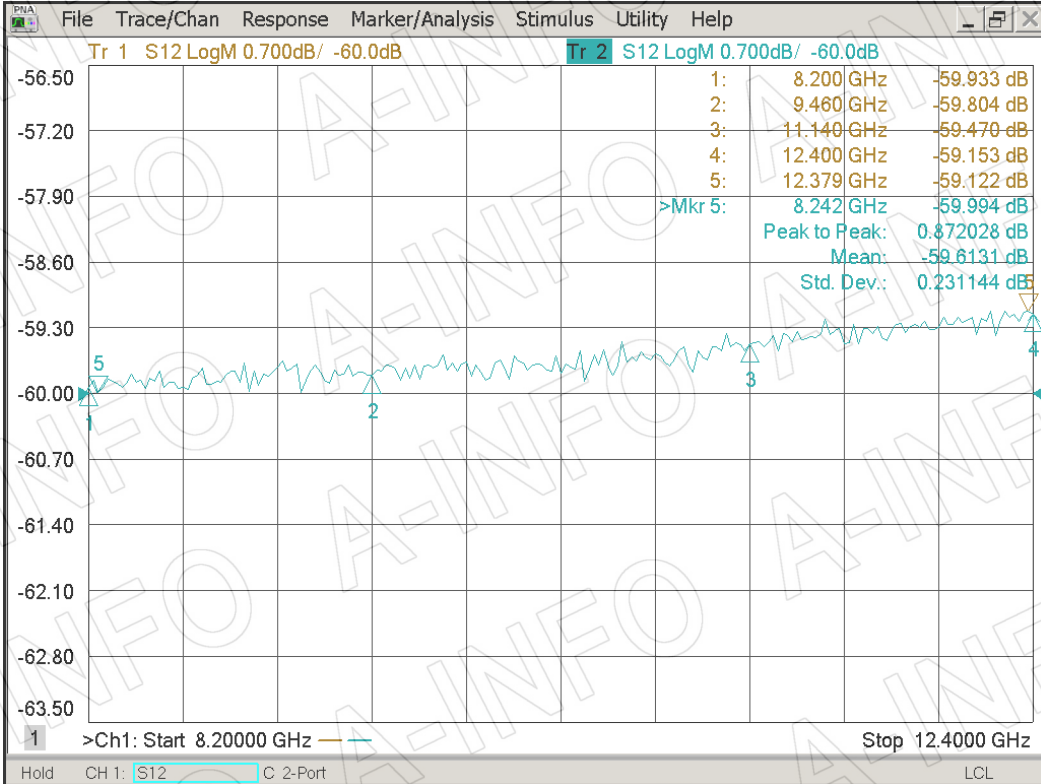
China(Beijing): Tel: (+86) 10-6266-7326,
China(Chengdu): Tel: (+86) 28-8519-2786,
USA: Tel: (+1) 949-639-9688,

(+86) 10-6266-7327 Fax: (+86) 10-6266-7379
(+86) 28-8519-3044 Fax: (+86) 28-8519-3068
(+1) 949-639-9608 Fax: (+1) 949-639-9670

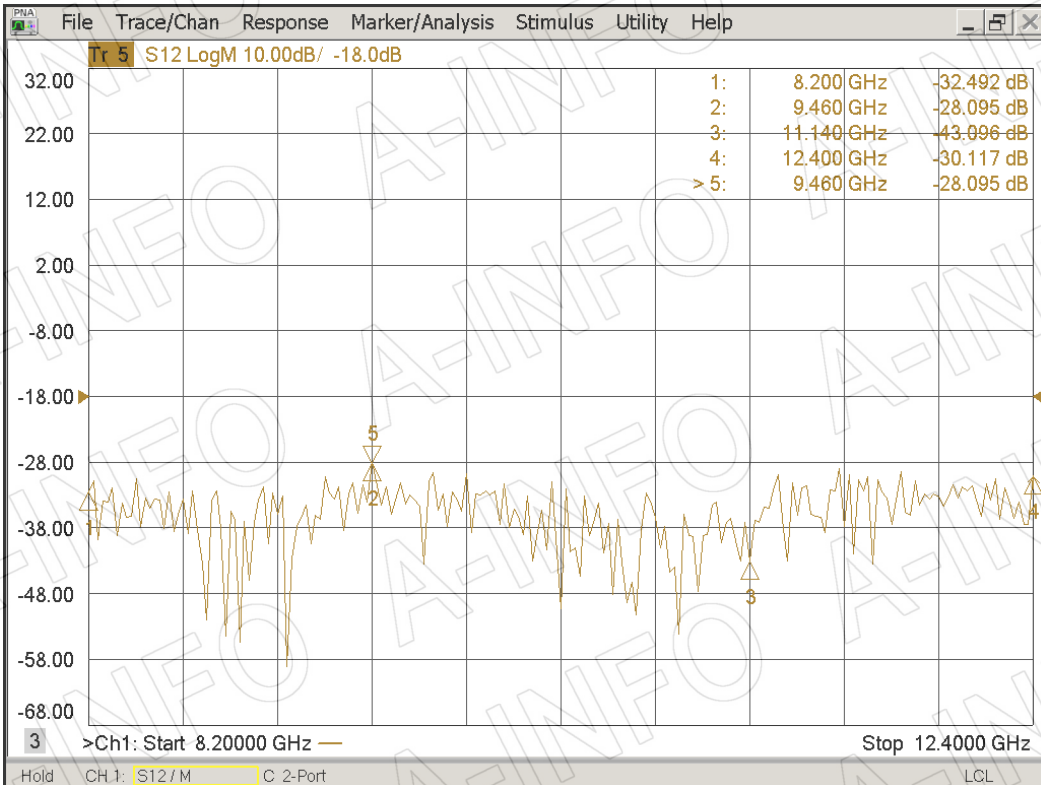
Website: www.ainfoinc.com
Email: sales@ainfoinc.com

Test Results

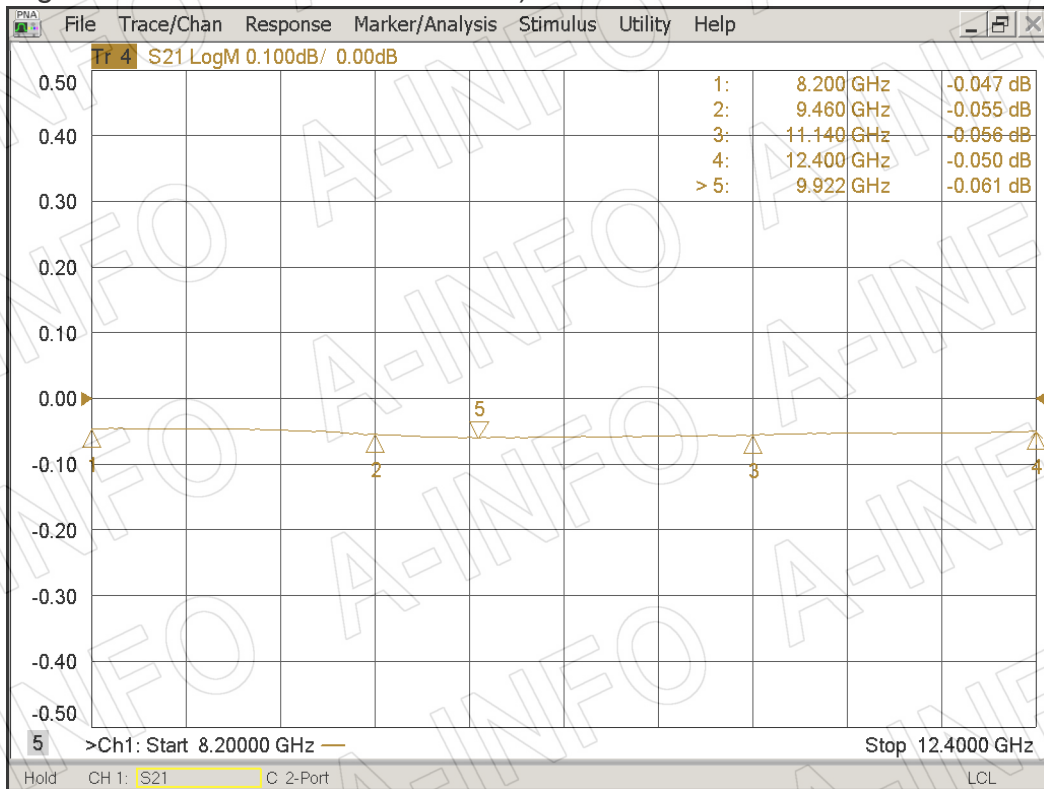
Coupling



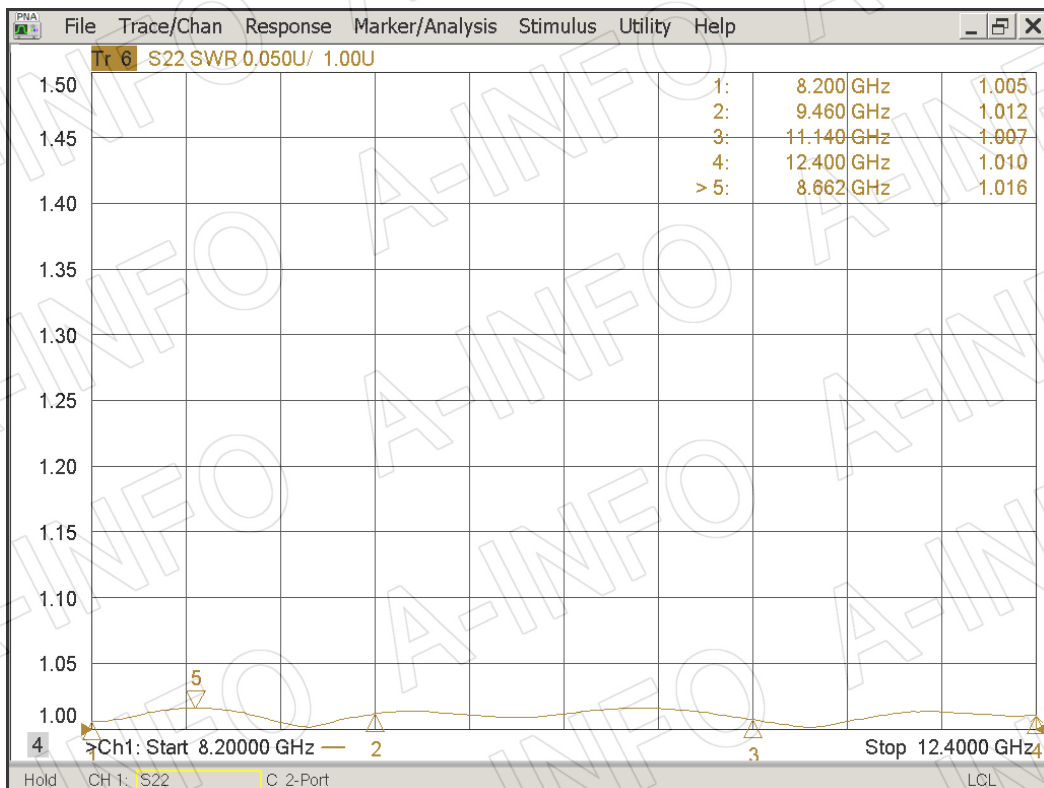
Directivity



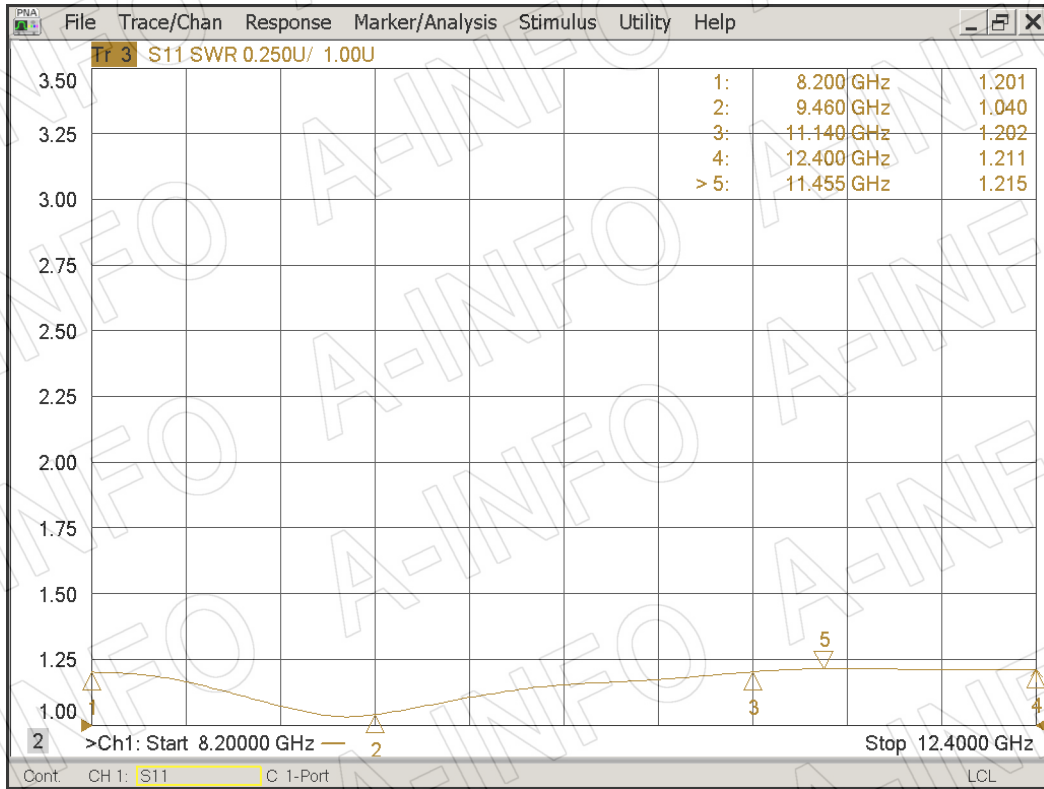
I.L. (Including the theoretical loss 4.34×10^{-6} dB)



Mainline VSWR



Secondline VSWR



AINFO Inc.

Page 5 of 5

China(Beijing): Tel: (+86) 10-6266-7326,
China(Chengdu): Tel: (+86) 28-8519-2786,
USA: Tel: (+1) 949-639-9688,

(+86) 10-6266-7327 Fax: (+86) 10-6266-7379
(+86) 28-8519-3044 Fax: (+86) 28-8519-3068
(+1) 949-639-9608 Fax: (+1) 949-639-9670

Website: www.ainfoinc.com
Email: sales@ainfoinc.com