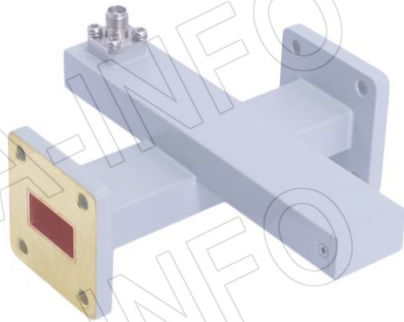


Technical Specification

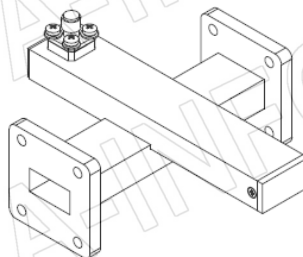
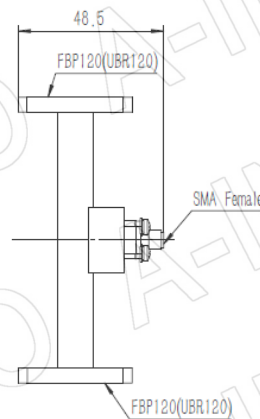
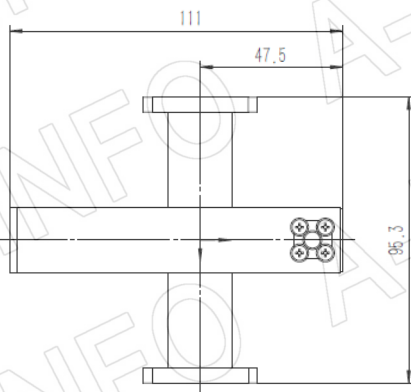


EIA WR	WR75
Frequency Range(GHz)	10.0 - 15.0
Coupling(dB)	60
Coupling Accuracy(dB)	±0.7 Max.
Frequency Sensitivity(dB)	±1.0 Max.
Directivity(dB)	18 Min.
Insertion Loss(dB)	0.1 Max. (Not including the theoretical loss 4.34×10^{-6} dB)
Mainline VSWR	1.05:1 Max.
Secondline VSWR	1.25:1 Max.
Flange	FBP120(UBR120)
Coupling Port	SMA-Female / SMA-Male
Material	Cu
Size(mm)	111 x 95.3 x 48.5
Net Weight(Kg)	0.26 Around

Outline Drawing (Size: mm)

Coupling Port: SMA-Female

For SMA-Male connector Coupling Port outline drawing, please contact A-INFO.



AINFO Inc.

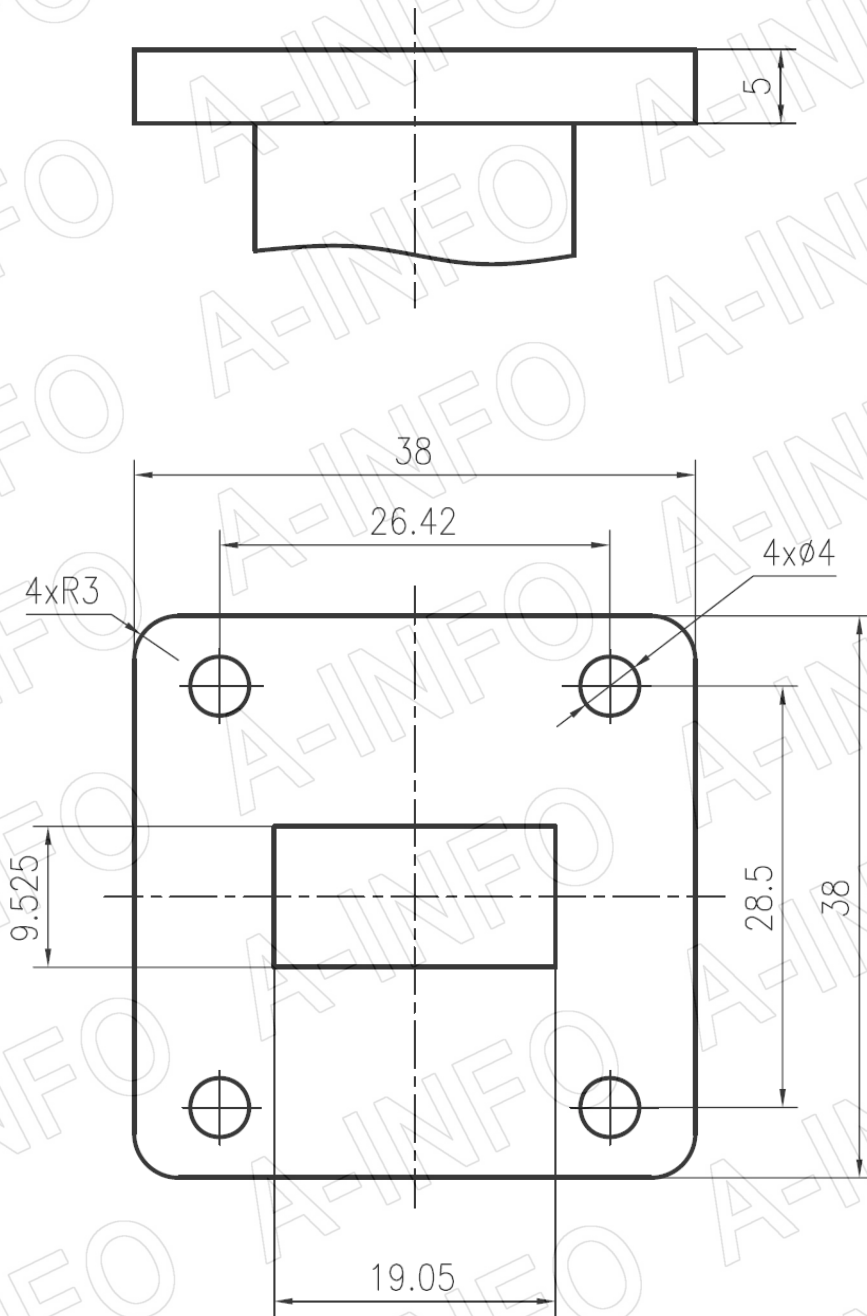
Page 1 of 5

China(Beijing): Tel: (+86) 10-6266-7326,
China(Chengdu): Tel: (+86) 28-8519-2786,
USA: Tel: (+1) 949-639-9688,

(+86) 10-6266-7327 Fax: (+86) 10-6266-7379
(+86) 28-8519-3044 Fax: (+86) 28-8519-3068
(+1) 949-639-9608 Fax: (+1) 949-639-9670

Website: www.ainfoinc.com
Email: sales@ainfoinc.com

Flange Drawing (Size: mm)



FBP120

AINFO Inc.

Page 2 of 5

China(Beijing): Tel: (+86) 10-6266-7326,
China(Chengdu): Tel: (+86) 28-8519-2786,
USA: Tel: (+1) 949-639-9688,

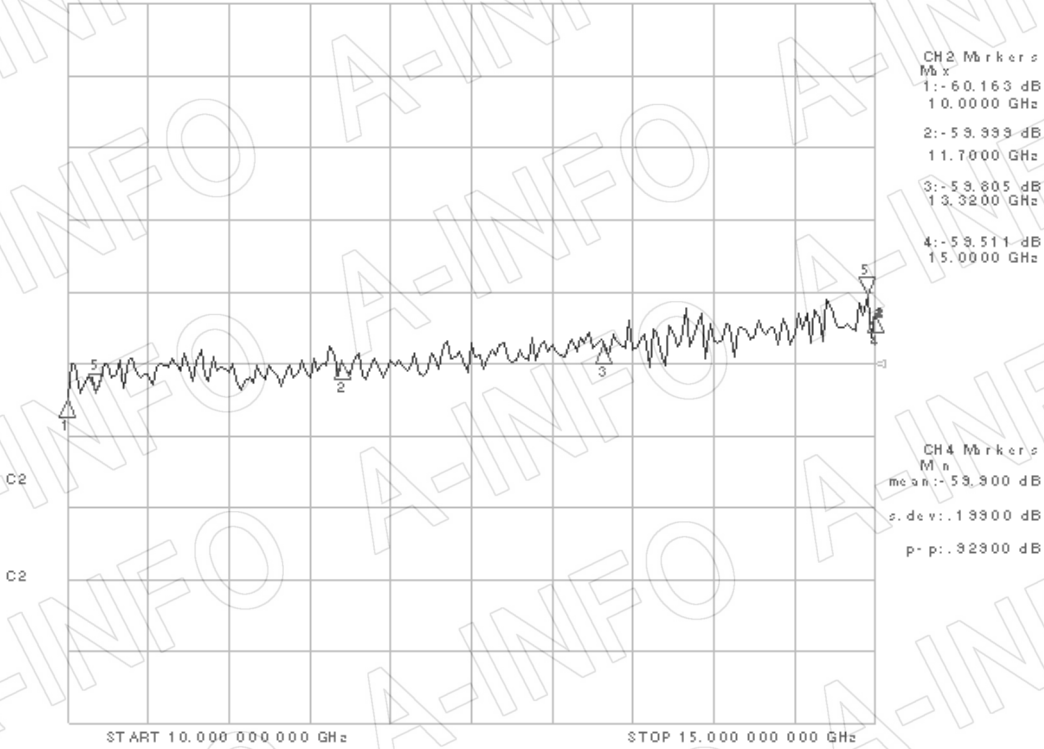
(+86) 10-6266-7327 Fax: (+86) 10-6266-7379
(+86) 28-8519-3044 Fax: (+86) 28-8519-3068
(+1) 949-639-9608 Fax: (+1) 949-639-9670

Website: www.ainfoinc.com
Email: sales@ainfoinc.com

Test Results

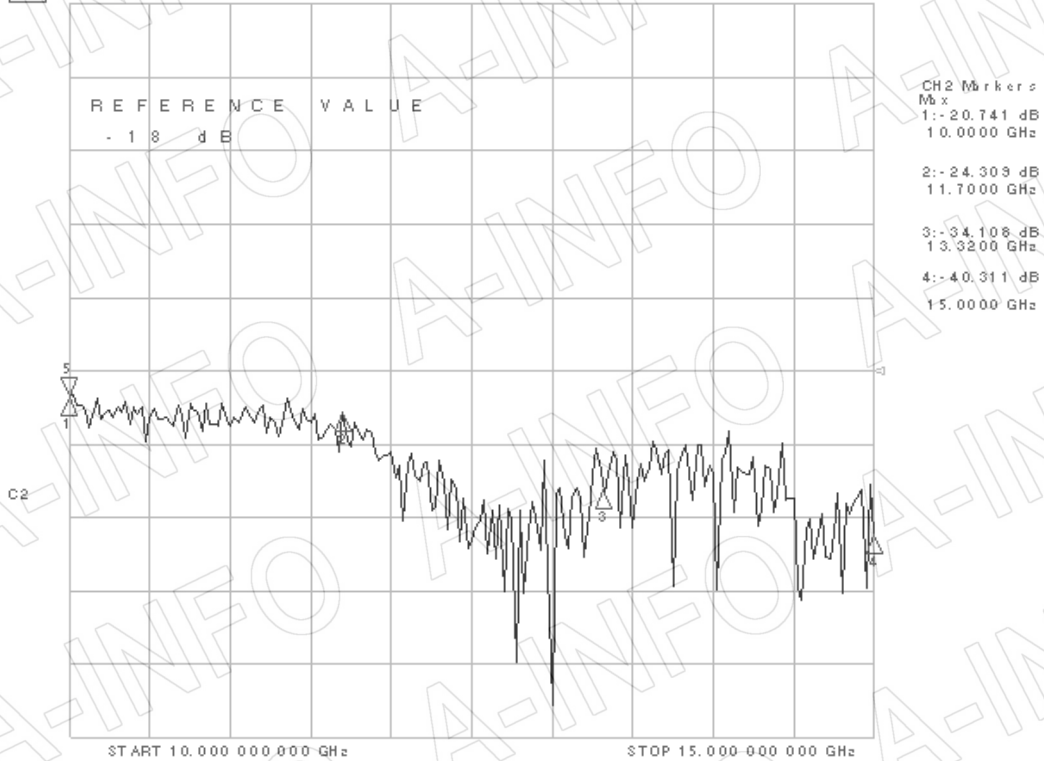
Coupling

CH2 \$12 LOG .7 dB/ REF -60 dB 5:-59.347 dB 14.950 000 000 GHz
CH4 \$12 LOG .7 dB/ REF -60 dB 5:-60.284 dB 10.175 000 000 GHz

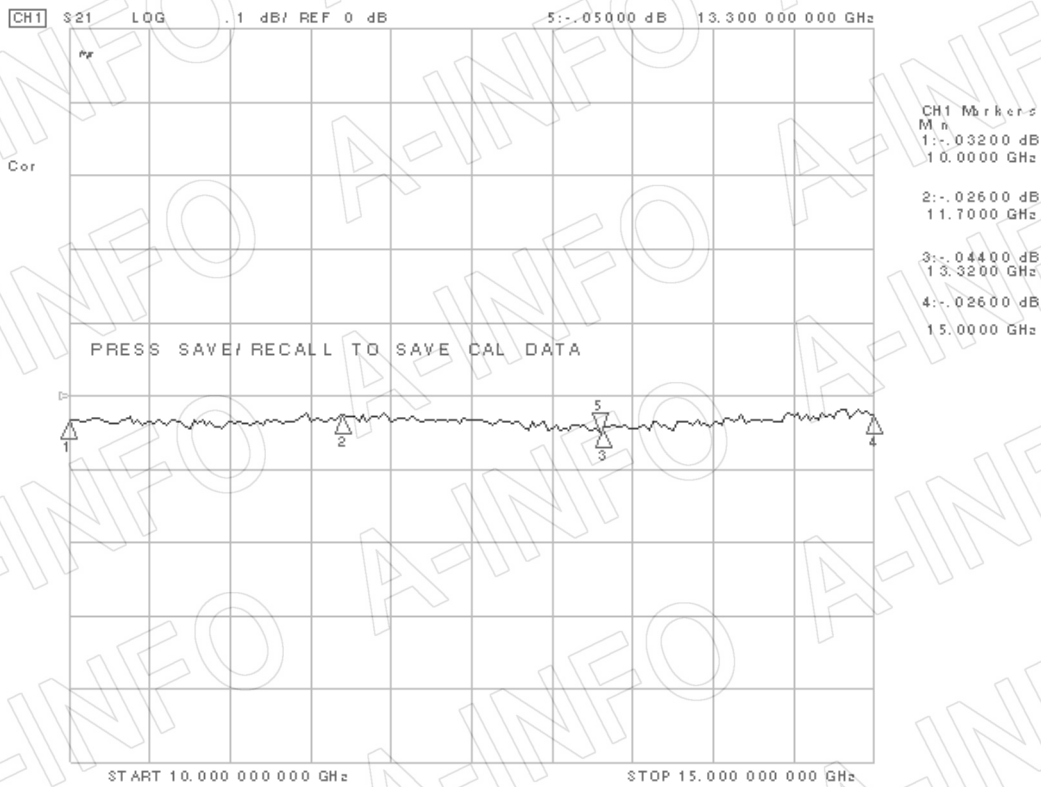


Directivity

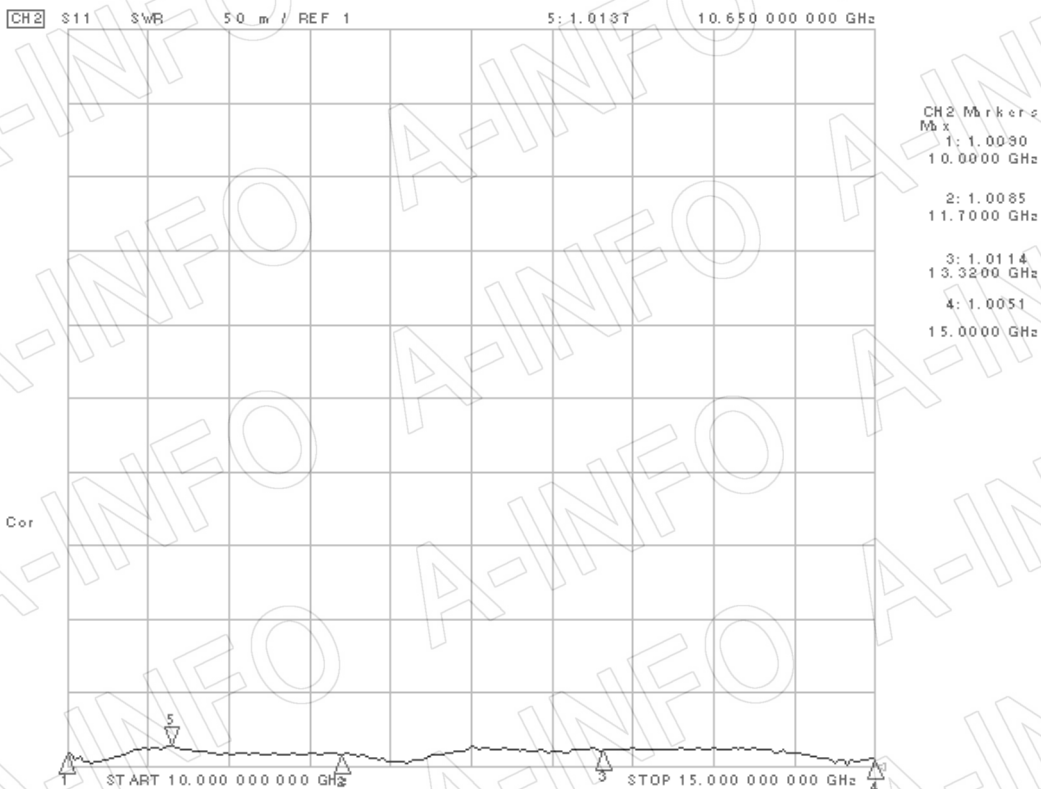
CH2 \$12/M LOG 10 dB/ REF -18 dB 5:-21.466 dB 10.000 000 000 GHz



I.L. (Including the theoretical loss 4.34×10^{-6} dB)



Mainline VSWR



AINFO Inc.

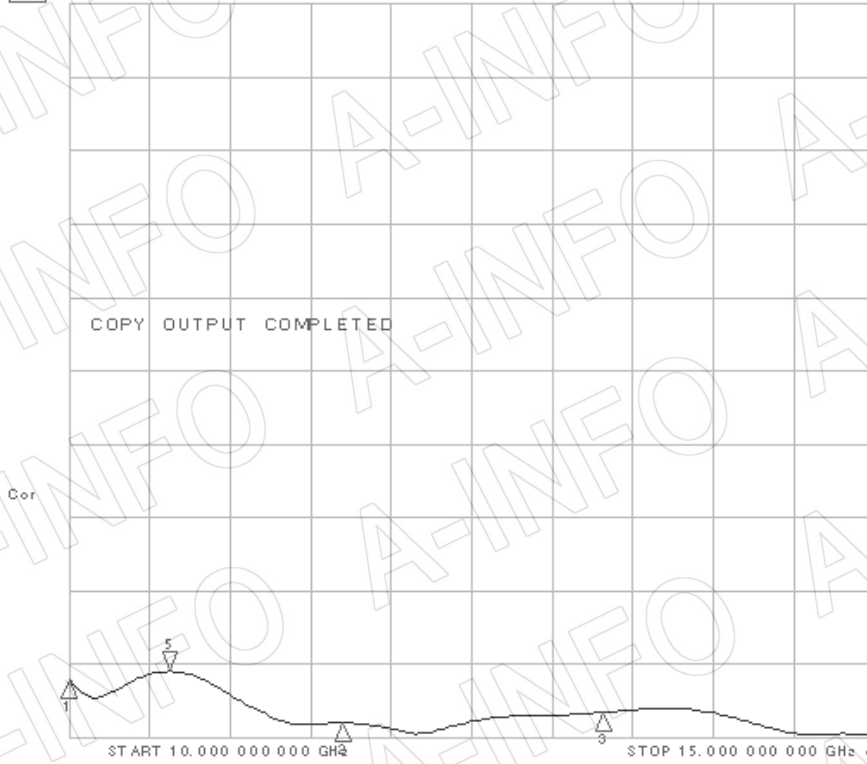
Page 4 of 5

China(Beijing): Tel: (+86) 10-6266-7326, (+86) 10-6266-7327 Fax: (+86) 10-6266-7379
 China(Chengdu): Tel: (+86) 28-8519-2786, (+86) 28-8519-3044 Fax: (+86) 28-8519-3068
 USA: Tel: (+1) 949-639-9688, (+1) 949-639-9608 Fax: (+1) 949-639-9670

Website: www.ainfoinc.com
 Email: sales@ainfoinc.com

Secondline VSWR

CH2 S11 SWR 250 m / REF 1 5: 1.2263 10.625 000 000 GHz



CH2 Markers
Mx
1: 1.2011
10.0000 GHz
2: 1.0521
11.7000 GHz
3: 1.0875
13.3200 GHz
4: 1.0106
15.0000 GHz