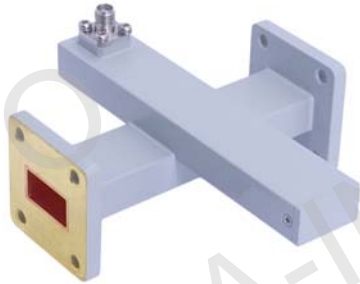


Technical Specification

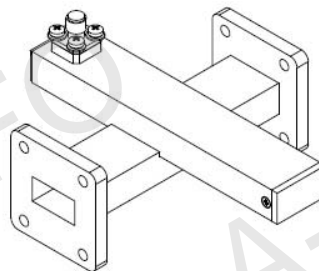
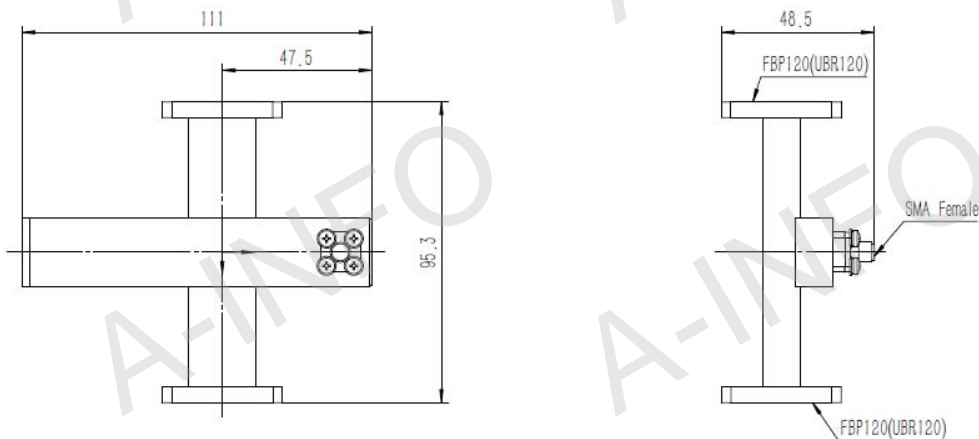


EIA WR	WR75
Frequency Range(GHz)	10.0-15.0
Coupling(dB)	30
Coupling Accuracy(dB)	±0.7
Frequency Sensitivity(dB)	±1.0
Directivity(dB)	18 Min.
Insertion Loss(dB)	0.1 Max. (Not including the theoretical loss 4.35×10^{-3} dB)
Mainline VSWR	1.10 Max.
Secondline VSWR	1.25 Max.
Flange	FBP120(UBR120)
Coupling Port	SMA-Female/SMA-Male
Material	Cu
Size(mm)	111 x 95.3 x 48.5
Net Weight(Kg)	0.26 Around

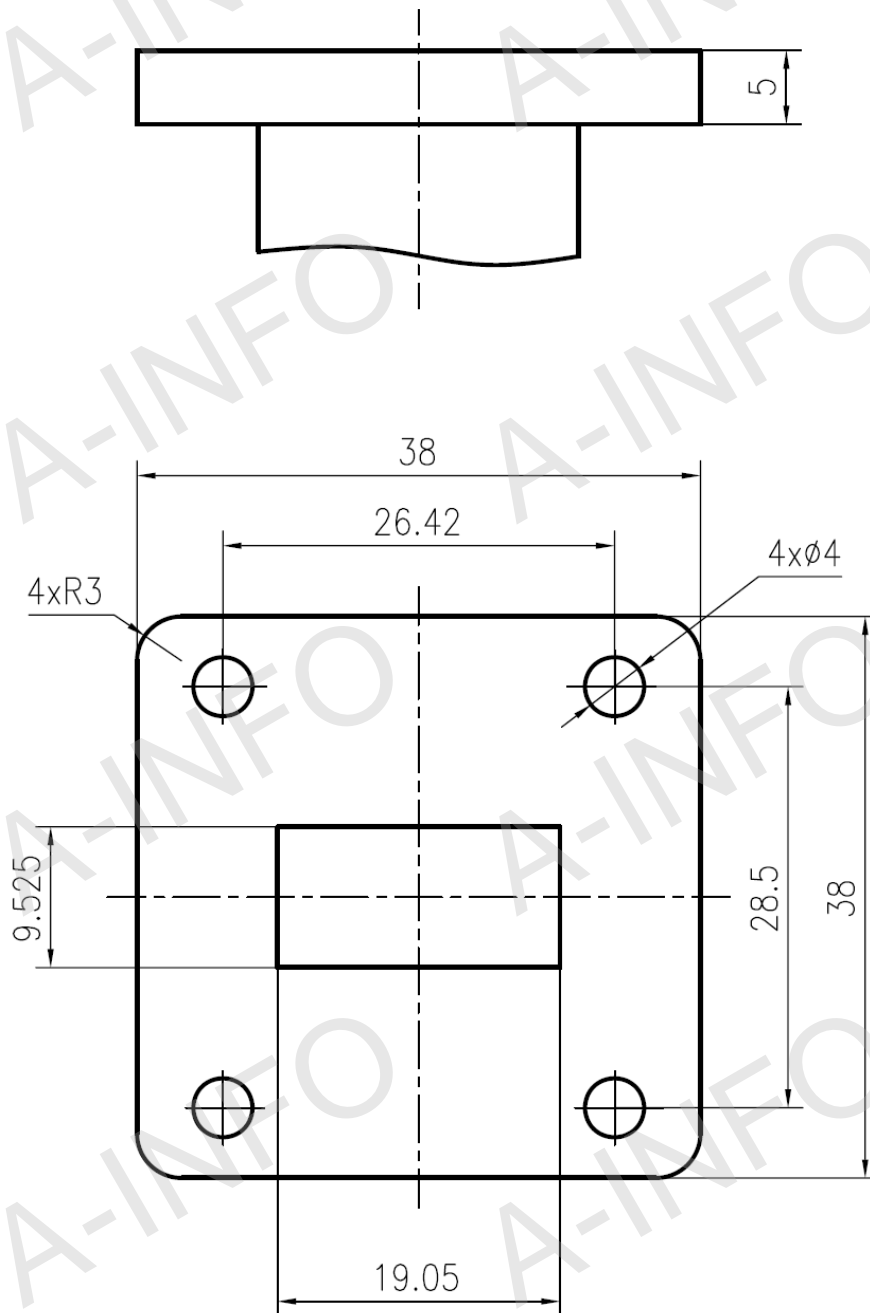
Outline Drawing (Size: mm)

Coupling Port: SMA -Female

For SMA-Male connector Coupling Port outline drawing, please contact A-INFO.



Flange Drawing (Size: mm)



FBP120

AINFO Inc.

Page 2 of 5

China(Beijing):
China(Chengdu):
USA :

Tel: (+86) 10-6266-7326,
Tel: (+86) 28-8519-2786,
Tel: (+1) 949-639-9688,

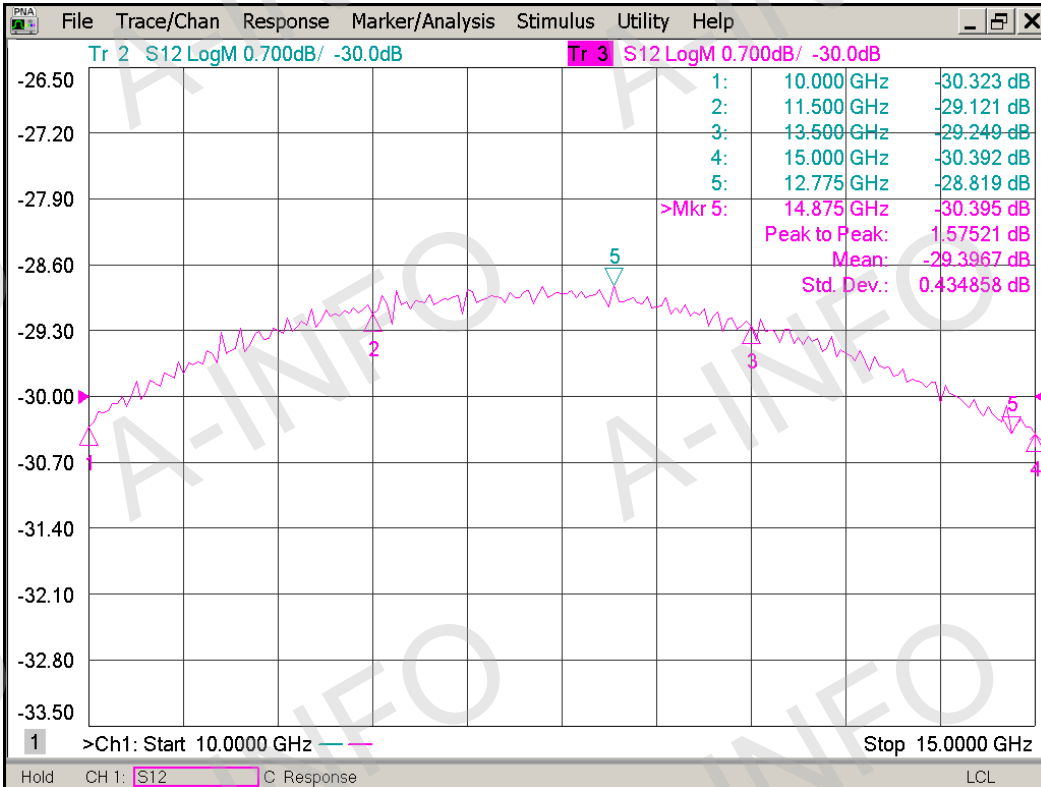
(+86) 10-6266-7327
(+86) 28-8519-3044
(+1) 949-639-9608

Fax: (+86) 10-6266-7379
Fax: (+86) 28-8519-3068
Fax: (+1) 949-639-9670

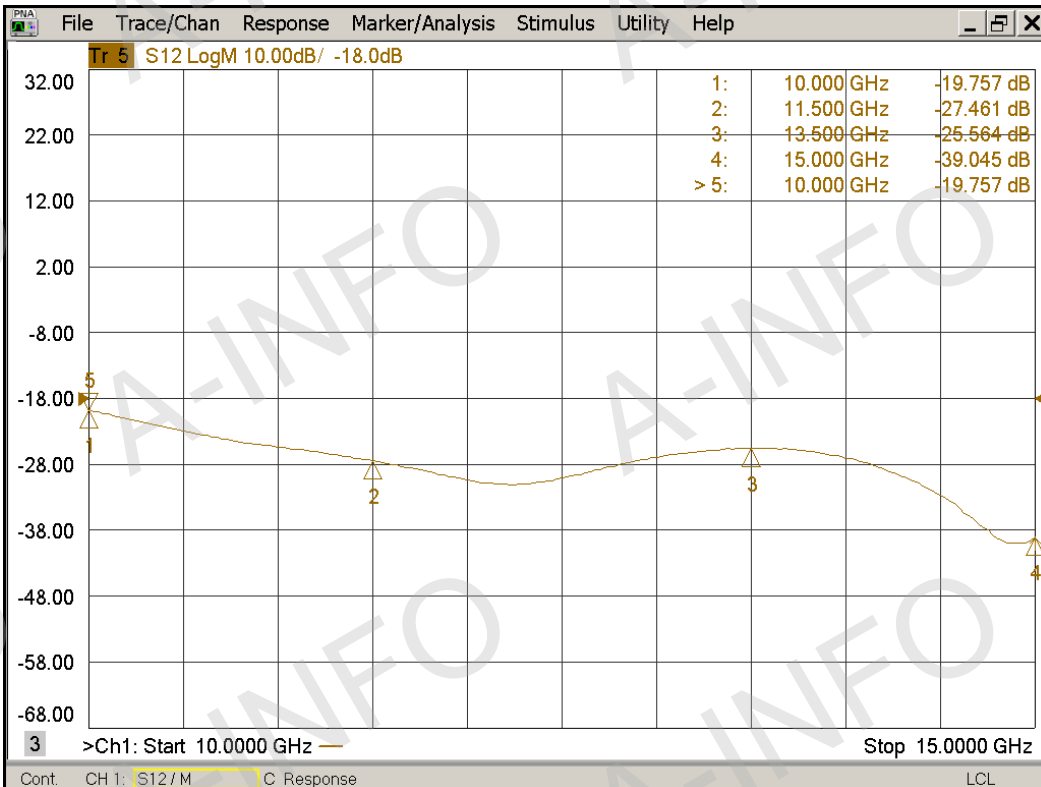
Website: www.ainfoinc.com
Email: sales@ainfoinc.com

Test Results

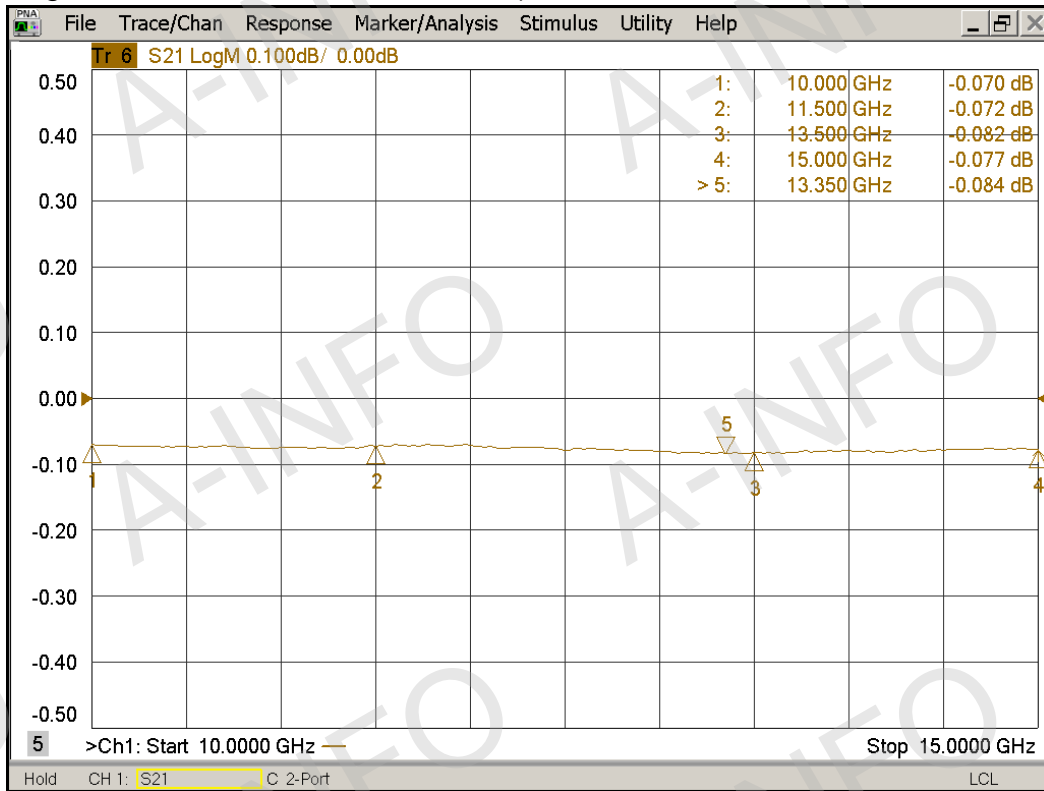
Coupling



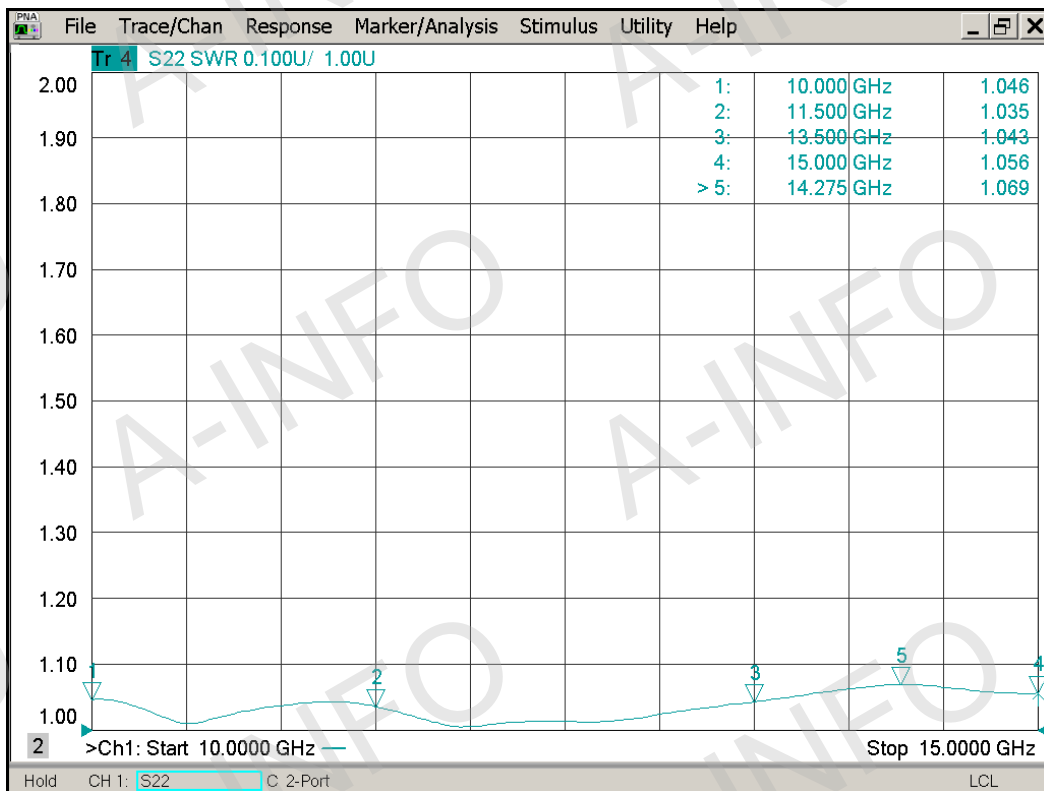
Directivity



I.L. (Including the theoretical loss 4.35×10^{-3} dB)



Mainline VSWR



Secondline VSWR

