

Technical Specification

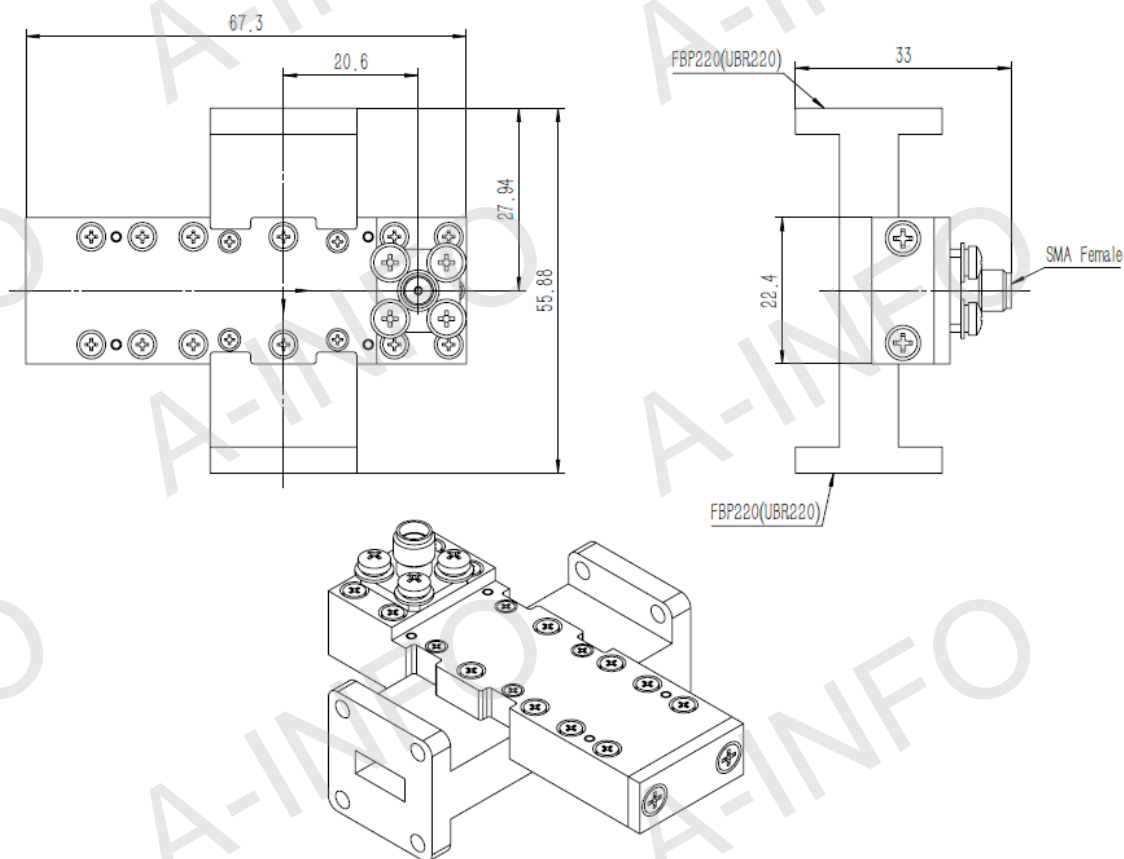


EIA WR	WR42
Frequency Range(GHz)	18.0-26.5
Coupling(dB)	40
Coupling Accuracy(dB)	±0.7
Frequency Sensitivity(dB)	±1.0
Directivity(dB)	18 Min.
Insertion Loss(dB)	0.2 Max. (Not including the theoretical loss 4.34×10^{-4} dB)
Mainline VSWR	1.05 Max.
Secondline VSWR	1.35 Max.
Flange	FBP220(UBR220)
Coupling Port	SMA-Female/SMA-Male
Material	Cu
Net Weight(Kg)	0.18 Around

Outline Drawing (Size: mm)

Coupling Port: SMA -Female

For SMA-Male connector Coupling Port outline drawing, please contact A-INFO.



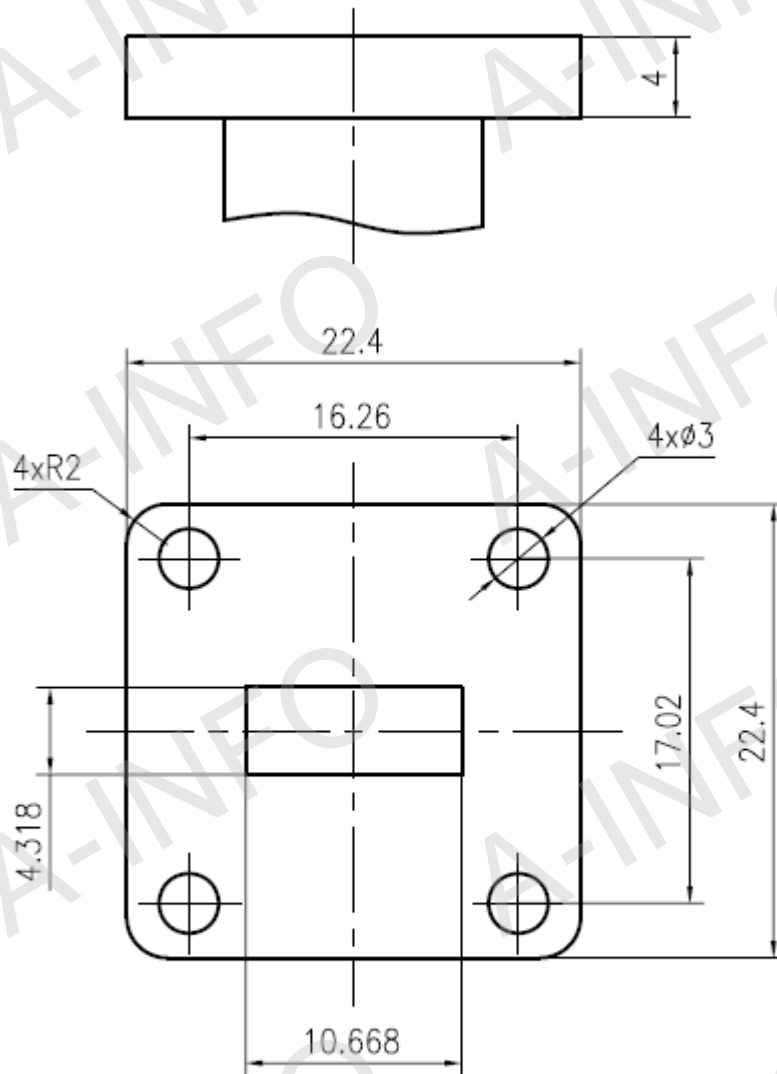
AINFO Inc.

Page 1 of 5

China(Beijing): Tel: (+86) 10-6266-7326, (+86) 10-6266-7327 Fax: (+86) 10-6266-7379
 China(Chengdu): Tel: (+86) 28-8519-2786, (+86) 28-8519-3044 Fax: (+86) 28-8519-3068
 USA: Tel: (+1) 949-639-9688, (+1) 949-639-9608 Fax: (+1) 949-639-9670

Website: www.ainfoinc.com
 Email: sales@ainfoinc.com

Flange Drawing (Size: mm)



FBP220

AINFO Inc.

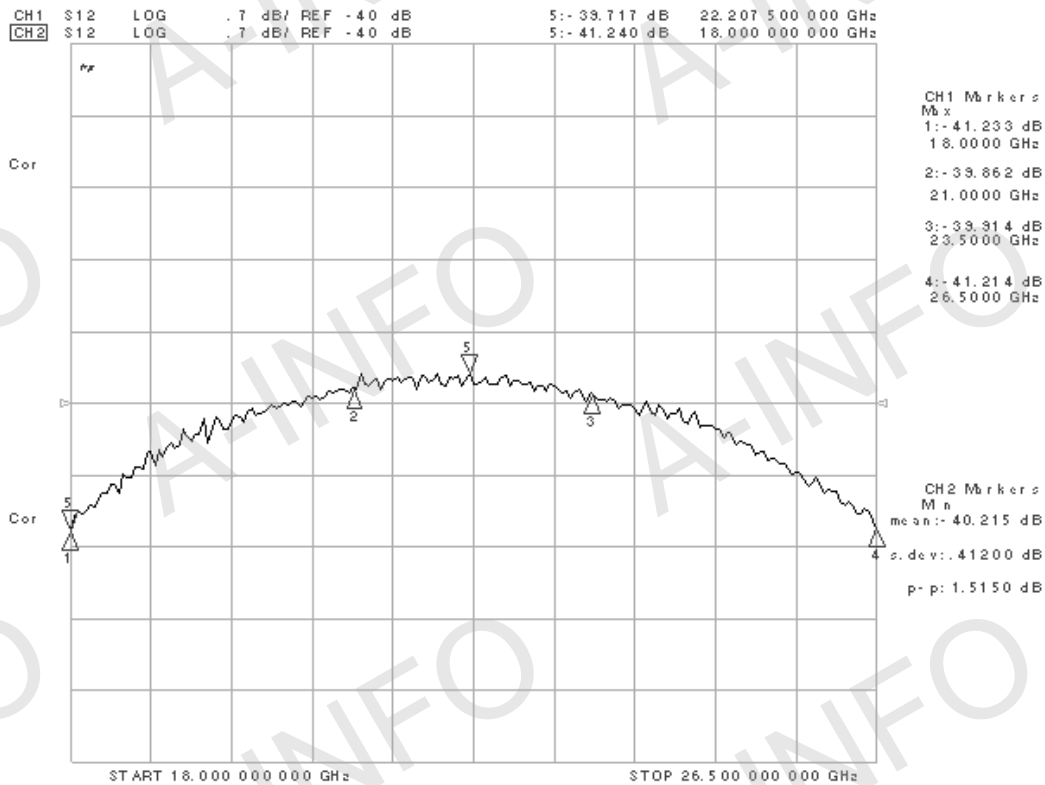
Page 2 of 5

China(Beijing):	Tel: (+86) 10-6266-7326,	(+86) 10-6266-7327	Fax: (+86) 10-6266-7379
China(Chengdu):	Tel: (+86) 28-8519-2786,	(+86) 28-8519-3044	Fax: (+86) 28-8519-3068
USA :	Tel: (+1) 949-639-9688,	(+1) 949-639-9608	Fax: (+1) 949-639-9670

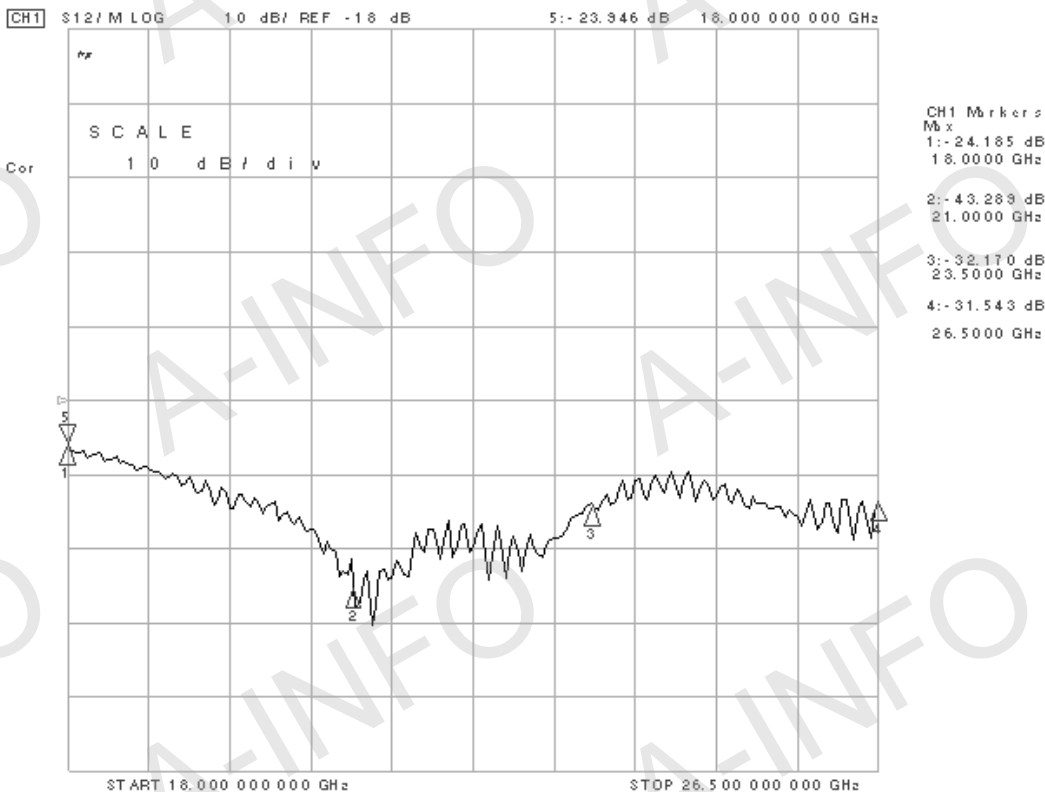
Website: www.ainfoinc.com
Email: sales@ainfoinc.com

Test Results

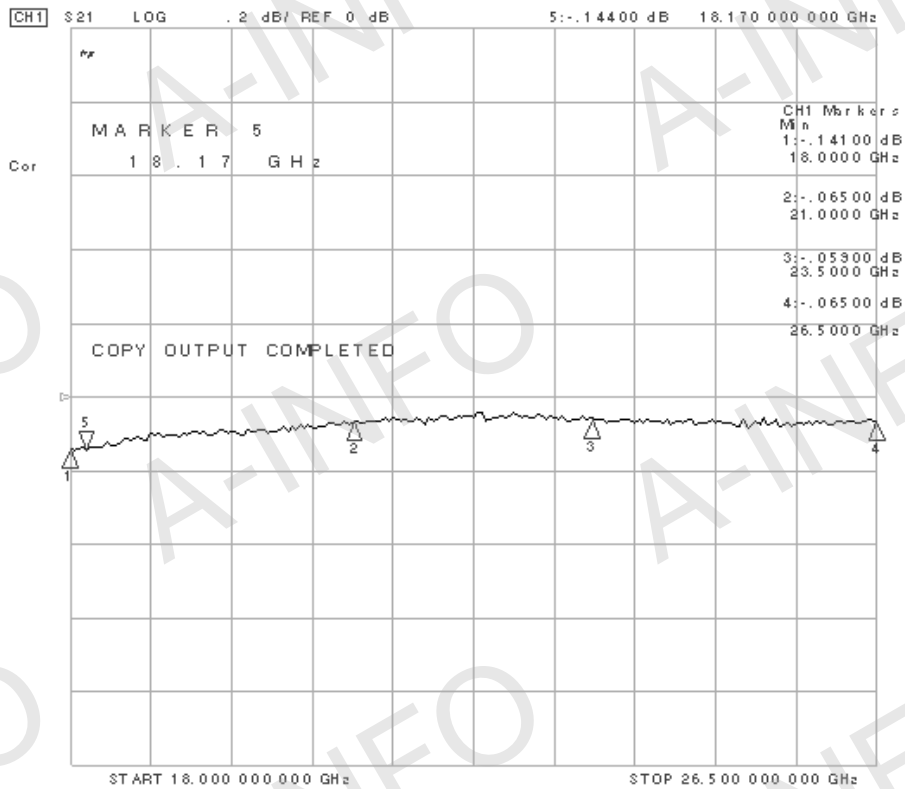
Coupling



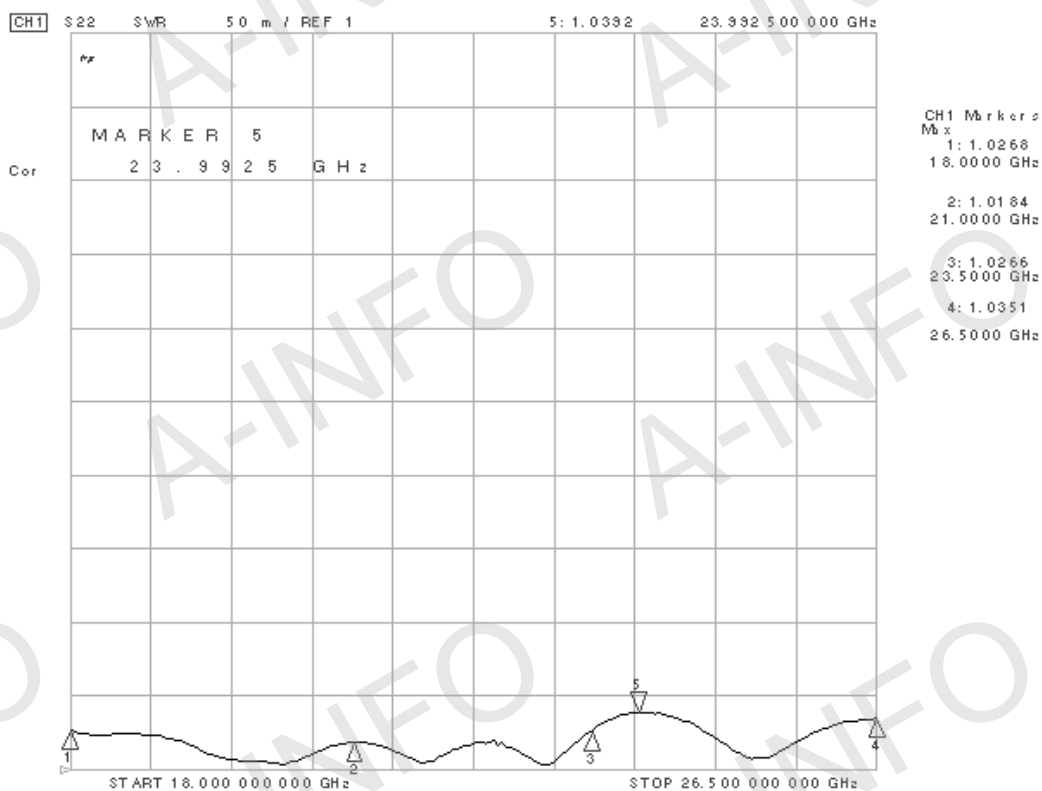
Directivity



I.L. (Including the theoretical loss 4.34×10^{-4} dB)



Mainline VSWR



AINFO Inc.

Page 4 of 5

China(Beijing): Tel: (+86) 10-6266-7326, (+86) 10-6266-7327 Fax: (+86) 10-6266-7379
 China(Chengdu): Tel: (+86) 28-8519-2786, (+86) 28-8519-3044 Fax: (+86) 28-8519-3068
 USA: Tel: (+1) 949-639-9688, (+1) 949-639-9608 Fax: (+1) 949-639-9670

Website: www.ainfoinc.com
 Email: sales@ainfoinc.com

Data subject to change without notice. For current data sheets, please contact: Sales@ainfoinc.com

Secondline VSWR

