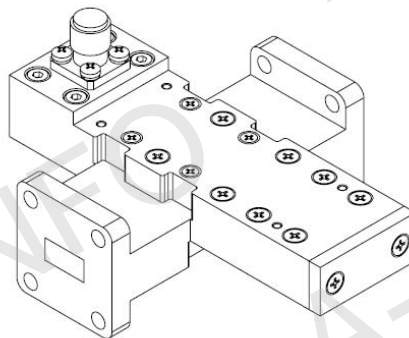
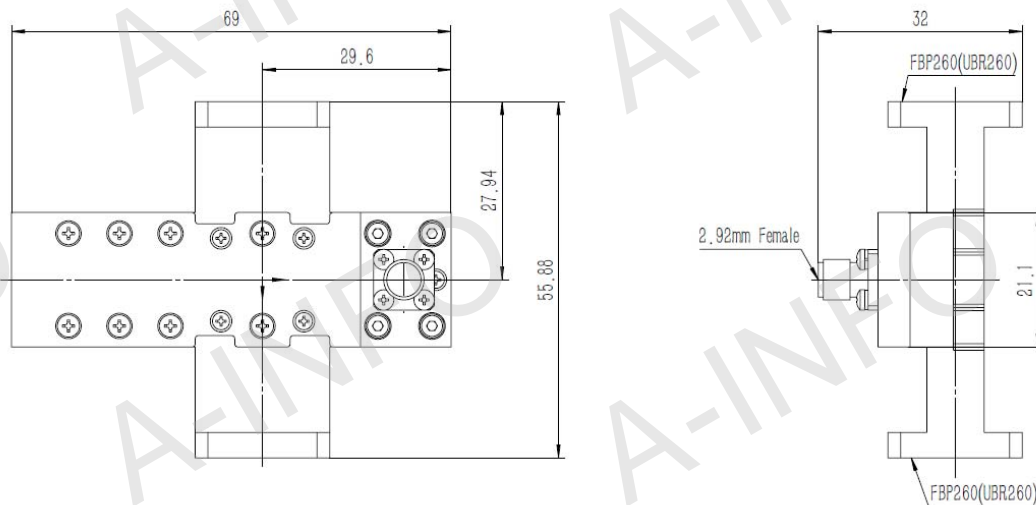


## Technical Specification



EIA WR	WR34
Frequency Range(GHz)	22.0 - 33.0
Coupling(dB)	50
Coupling Accuracy(dB)	±0.7 Max.
Frequency Sensitivity(dB)	±1.0 Max.
Directivity(dB)	18 Min.
Insertion Loss(dB)	0.1 Max. (Not including the theoretical loss $4.34 \times 10^{-5}$ dB)
Mainline VSWR	1.05:1 Max.
Secondline VSWR	1.35:1 Max.
Flange	FBP260(UBR260)
Material	Cu
Size(mm)	69 x 55.88 x 32
Net Weight(Kg)	0.15 Around

## Outline Drawing (Size: mm)



AINFO Inc.

Page 1 of 5

China(Beijing):  
China(Chengdu):  
USA :

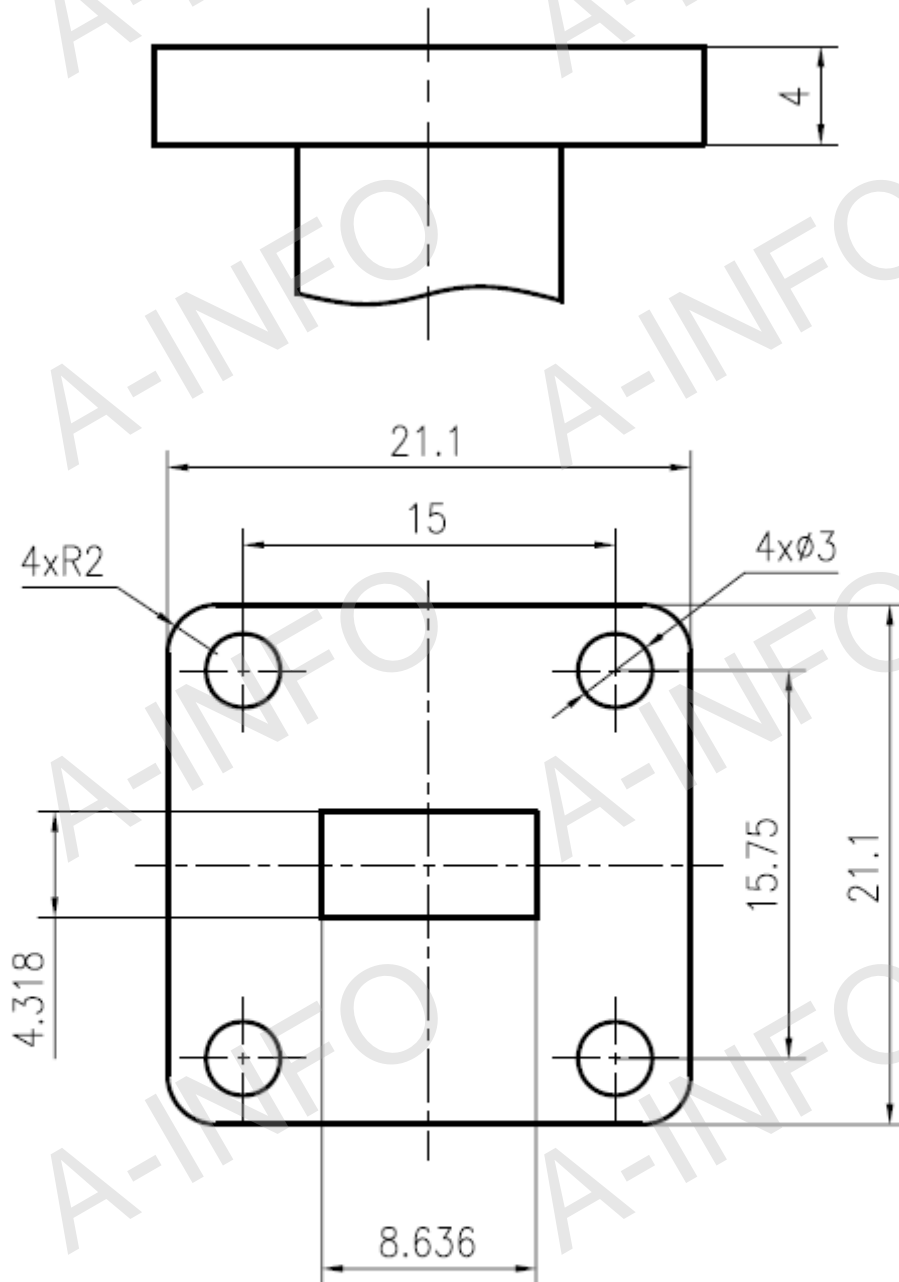
Tel: (+86) 10-6266-7326,  
Tel: (+86) 28-8519-2786,  
Tel: (+1) 949-639-9688,

(+86) 10-6266-7327  
(+86) 28-8519-3044  
(+1) 949-639-9608

Fax: (+86) 10-6266-7379  
Fax: (+86) 28-8519-3068  
Fax: (+1) 949-639-9670

Website: [www.ainfoinc.com](http://www.ainfoinc.com)  
Email: [sales@ainfoinc.com](mailto:sales@ainfoinc.com)

## Flange Drawing (Size: mm)



### FBP260

AINFO Inc.

Page 2 of 5

China(Beijing):  
China(Chengdu):  
USA :

Tel: (+86) 10-6266-7326,  
Tel: (+86) 28-8519-2786,  
Tel: (+1) 949-639-9688,

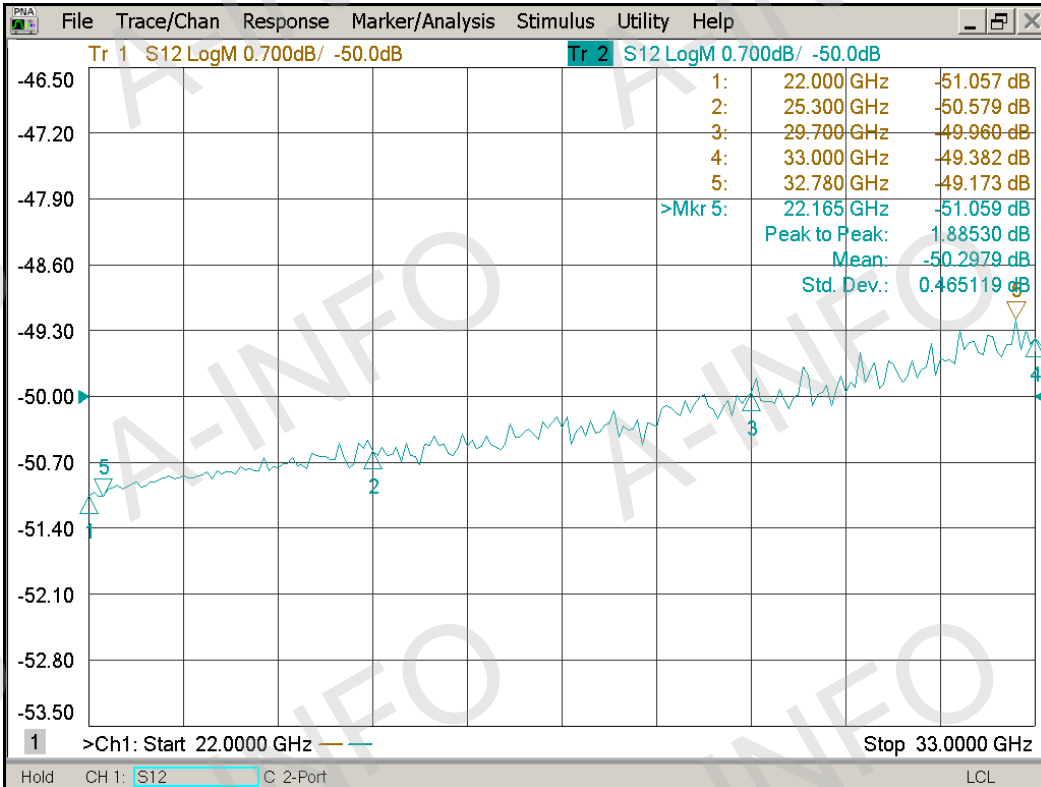
(+86) 10-6266-7327  
(+86) 28-8519-3044  
(+1) 949-639-9608

Fax: (+86) 10-6266-7379  
Fax: (+86) 28-8519-3068  
Fax: (+1) 949-639-9670

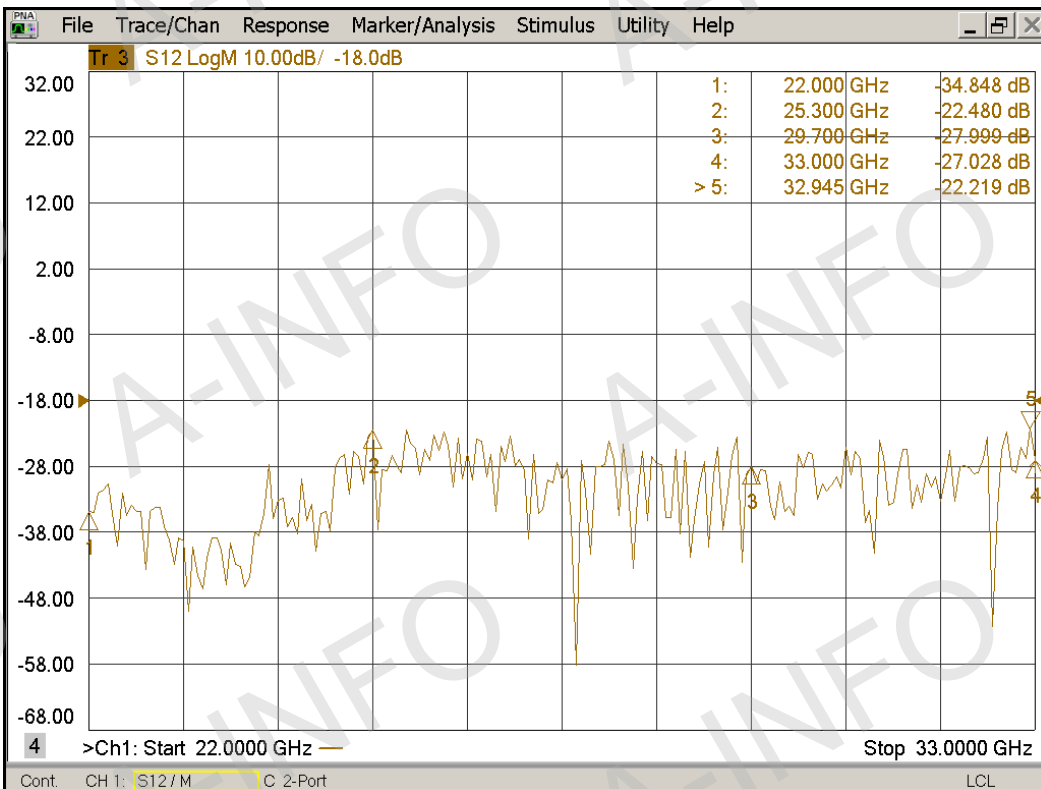
Website: [www.ainfoinc.com](http://www.ainfoinc.com)  
Email: [sales@ainfoinc.com](mailto:sales@ainfoinc.com)

## Test Results

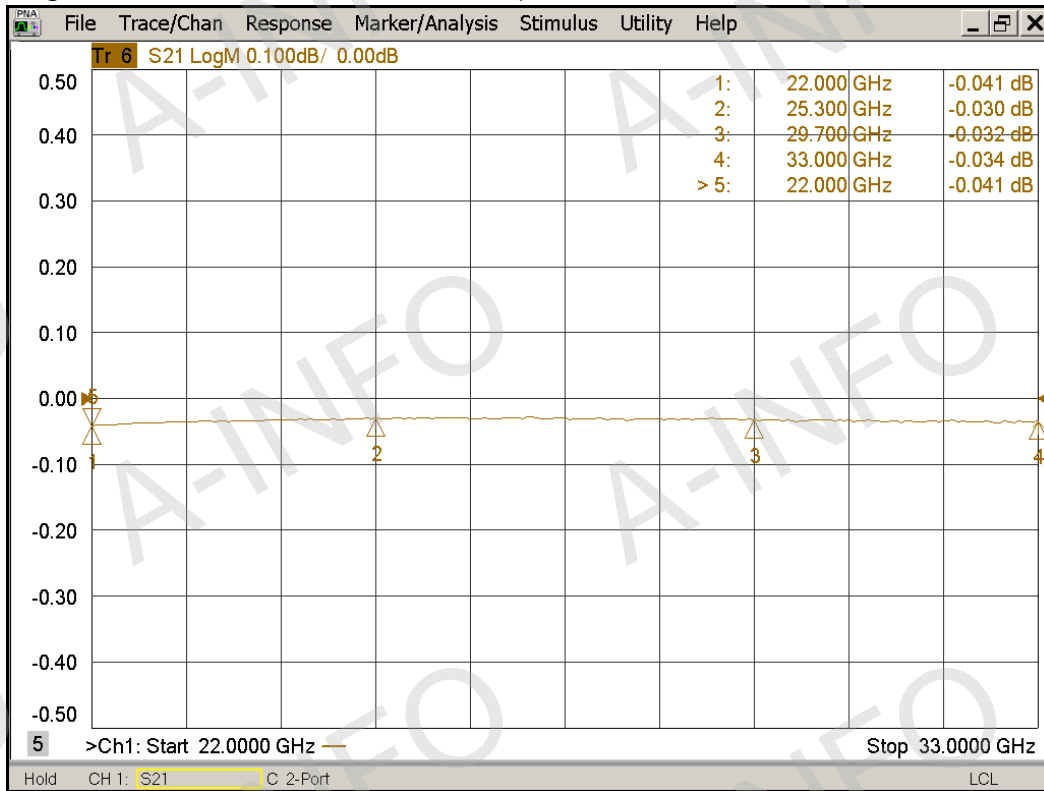
### Coupling



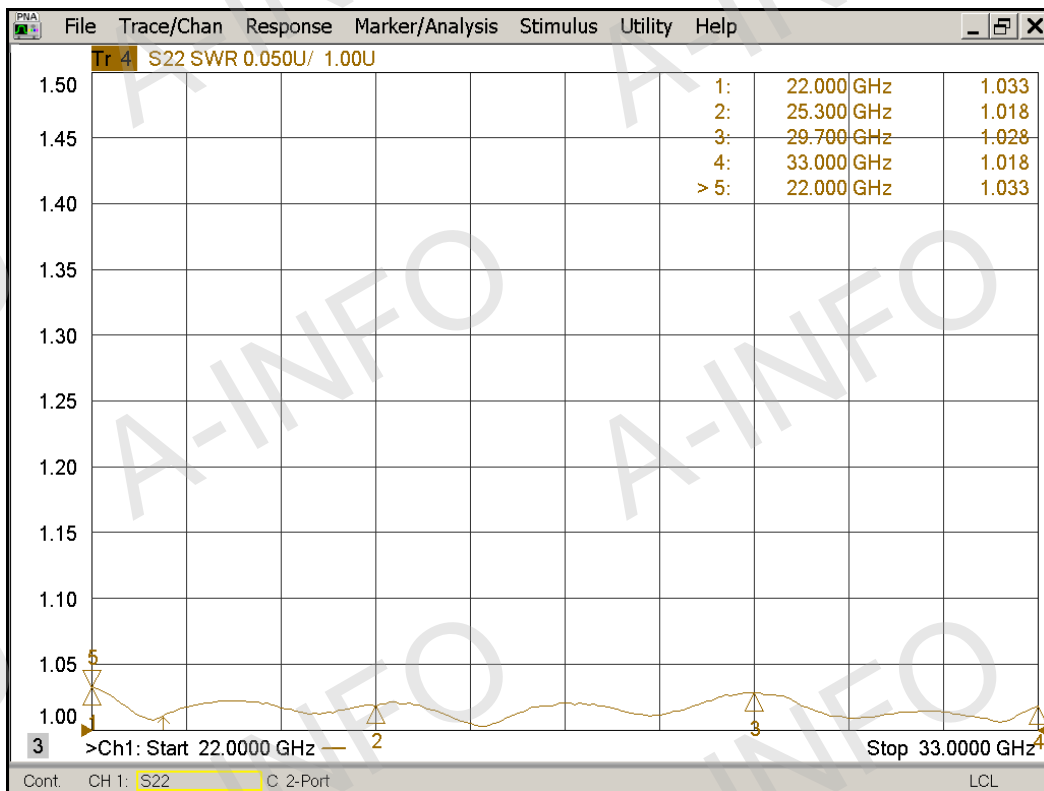
### Directivity



I.L. (Including the theoretical loss  $4.34 \times 10^{-5}$  dB)



Mainline VSWR



## Secondline VSWR

