

Technical Specification

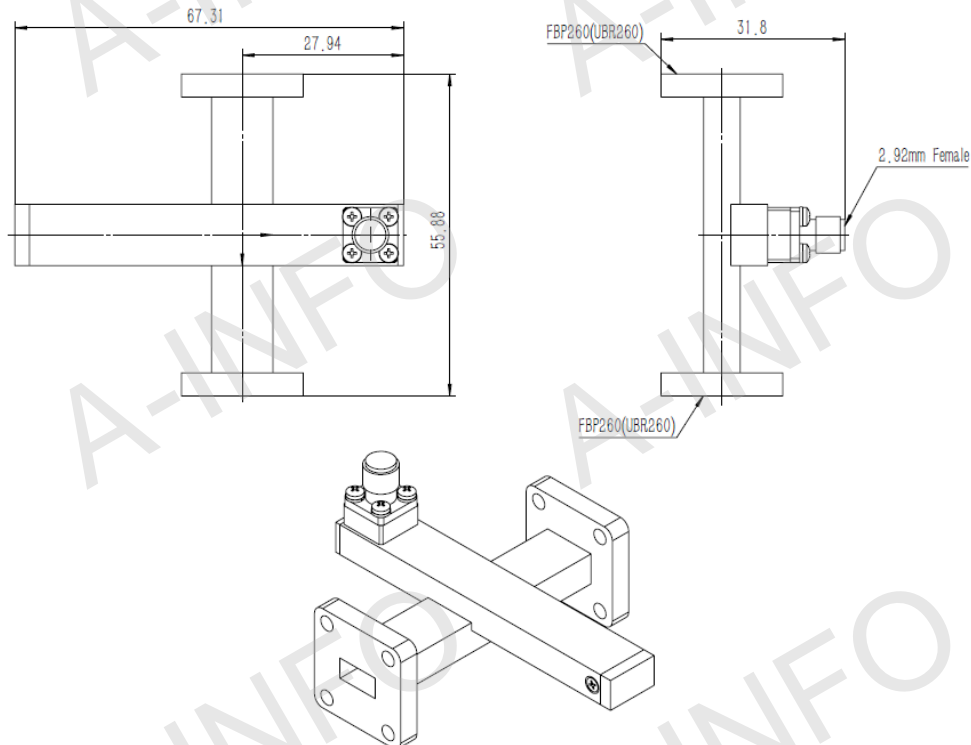


EIA WR	WR34
Frequency Range(GHz)	22.0-33.0
Coupling(dB)	30
Coupling Accuracy(dB)	±1.0
Frequency Sensitivity(dB)	±1.0
Directivity(dB)	18 Min.
Mainline VSWR	1.08 Max.
Secondline VSWR	1.35 Max.
Flange	FBP260(UBR260)
Coupling Port	2.92mm-Female/ 2.92mm-Male
Material	Cu
Net Weight(Kg)	0.06 Around

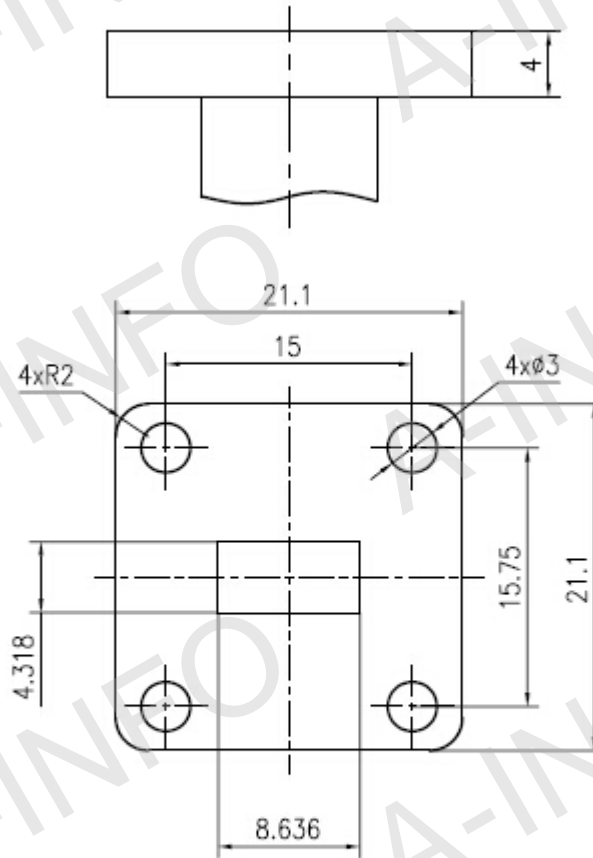
Outline Drawing (Size: mm)

Coupling Port: 2.92mm-Female

For 2.92mm-Male connector Coupling Port outline drawing, please contact A-INFO.



Flange Drawing (Size: mm)



FBP260

AINFO Inc.

Page 2 of 4

China(Beijing): Tel: (+86) 10-6266-7326,
China(Chengdu): Tel: (+86) 28-8519-2786,
USA: Tel: (+1) 949-346-7326,

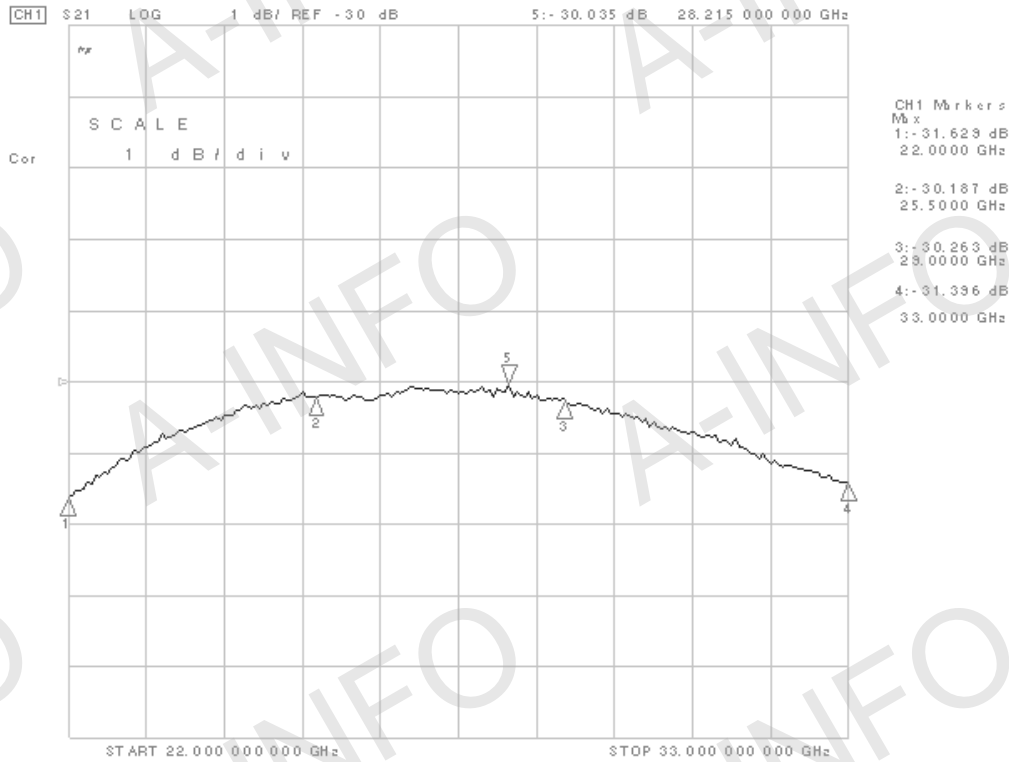
(+86) 10-6266-7327
(+86) 28-8519-3044
(+1) 949-639-9660

Fax: (+86) 10-6266-7379
Fax: (+86) 28-8519-3068
Fax: (+1) 949-639-9659

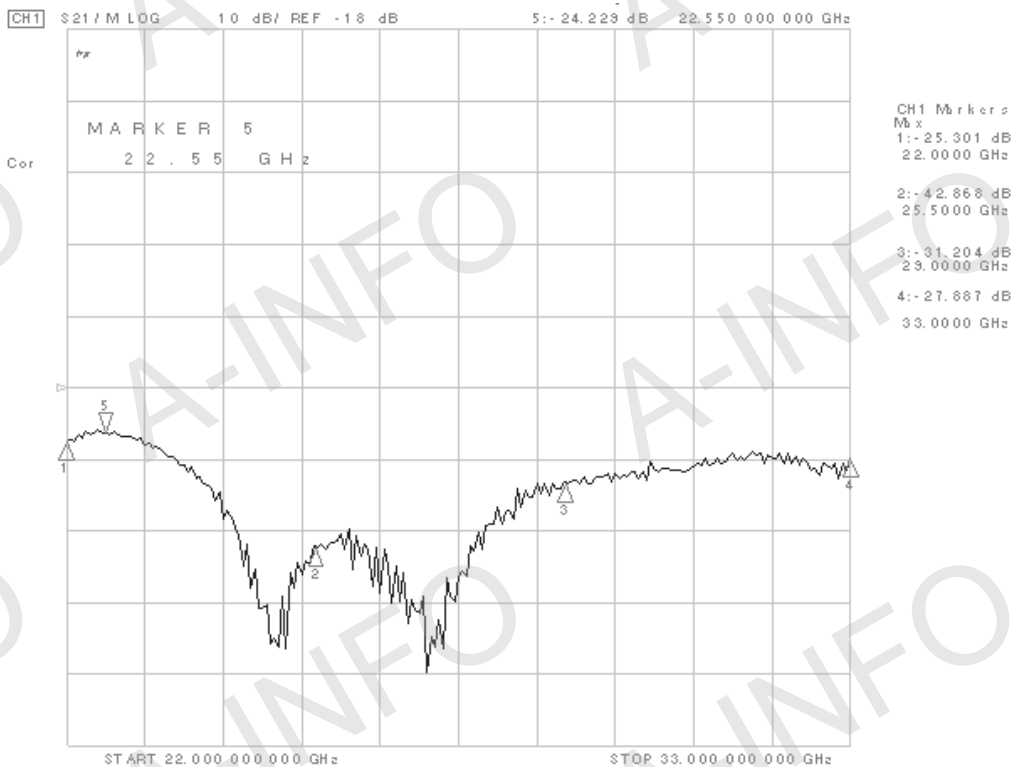
Website: www.ainfoinc.com
Email: sales@ainfoinc.com

Test Results

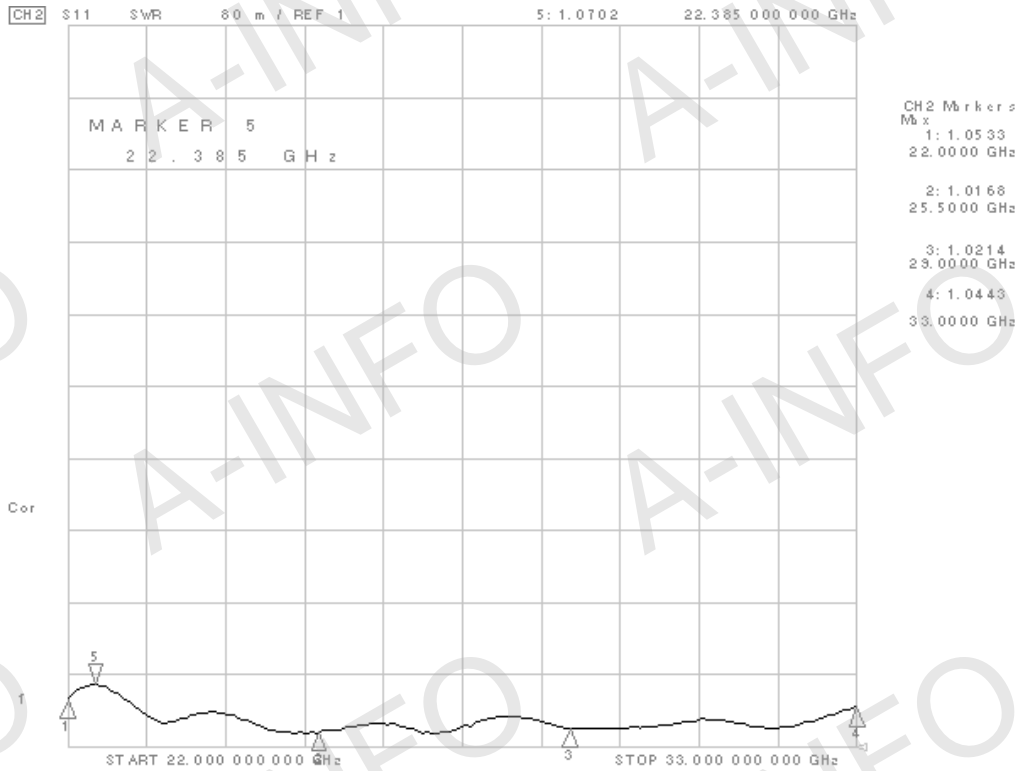
Coupling



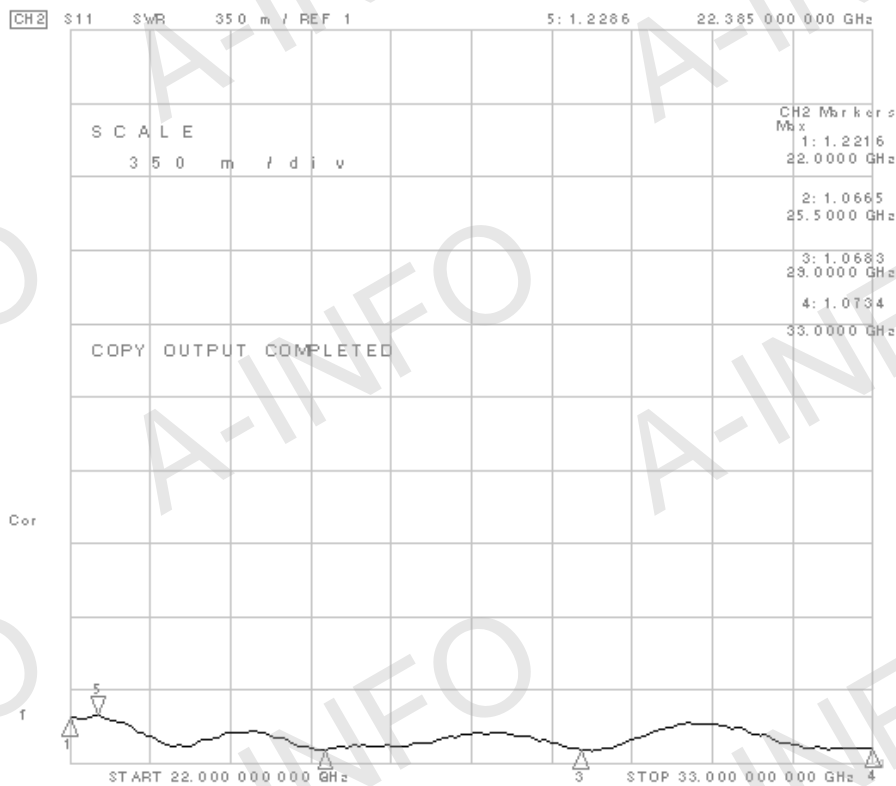
Directivity



Mainline VSWR



Secondline VSWR



AINFO Inc.

Page 4 of 4

China(Beijing):
China(Chengdu):
USA:

Tel: (+86) 10-6266-7326,
Tel: (+86) 28-8519-2786,
Tel: (+1) 949-346-7326,

(+86) 10-6266-7327
(+86) 28-8519-3044
(+1) 949-639-9660

Fax: (+86) 10-6266-7379
Fax: (+86) 28-8519-3068
Fax: (+1) 949-639-9659

Website: www.ainfoinc.com
Email: sales@ainfoinc.com