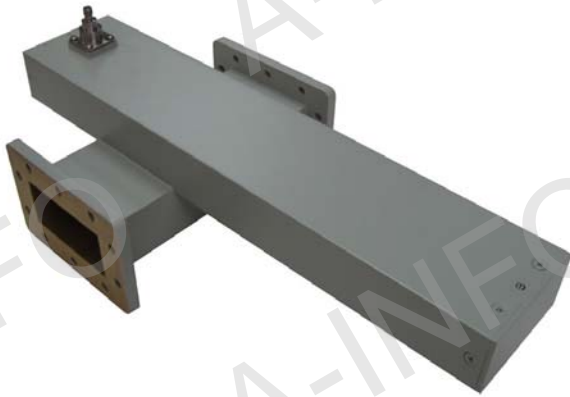
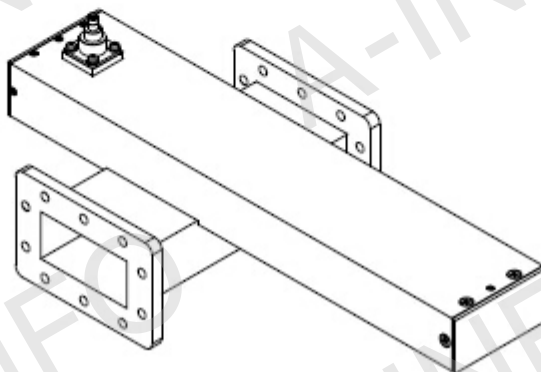
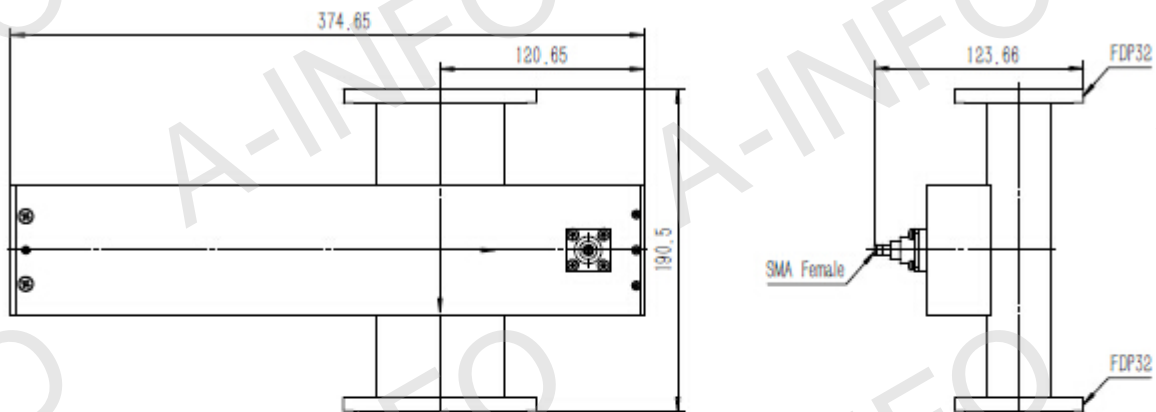


Technical Specification

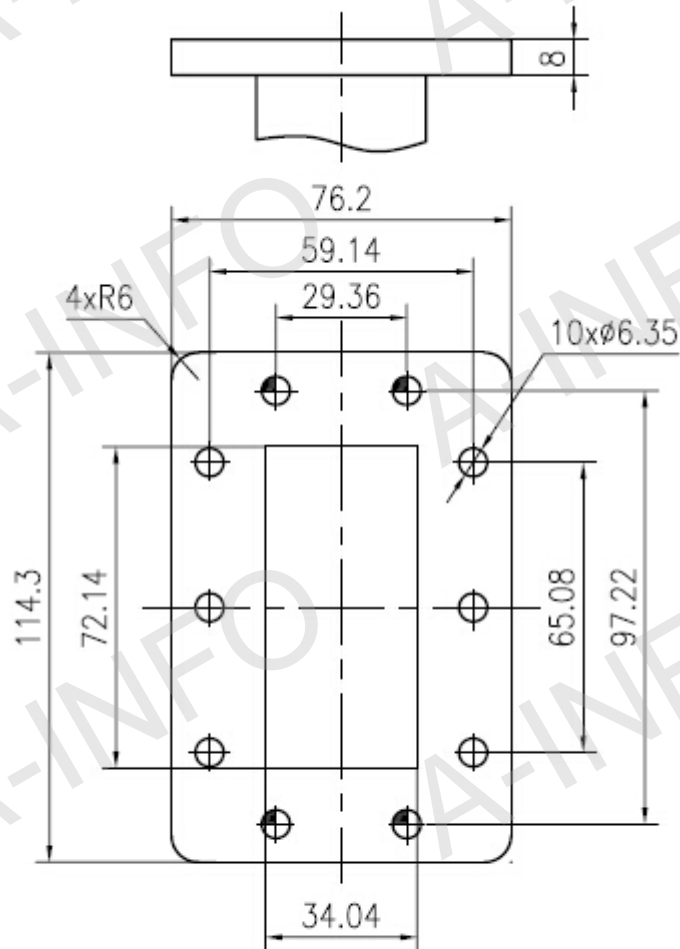


EIA WR	WR284
Frequency Range(GHz)	2.6-3.95
Coupling(dB)	60
Coupling Accuracy(dB)	±0.7
Frequency Sensitivity(dB)	±1.0
Directivity(dB)	18 Min.
Mainline VSWR	1.05 Max.
Secondline VSWR	1.25 Max.
Flange	FDP32
Coupling Port	SMA-Female
Material	Al
Net Weight(Kg)	1.36 Around

Outline Drawing (Size: mm)



Flange Drawing (Size: mm)



FDP32

AINFO Inc.

Page 2 of 4

China(Beijing):
China(Chengdu):
USA :

Tel: (+86) 10-6266-7326,
Tel: (+86) 28-8519-2786,
Tel: (+1) 949-346-7326,

(+86) 10-6266-7327
(+86) 28-8519-3044
(+1) 949-639-9660

Fax: (+86) 10-6266-7379
Fax: (+86) 28-8519-3068
Fax: (+1) 949-639-9659

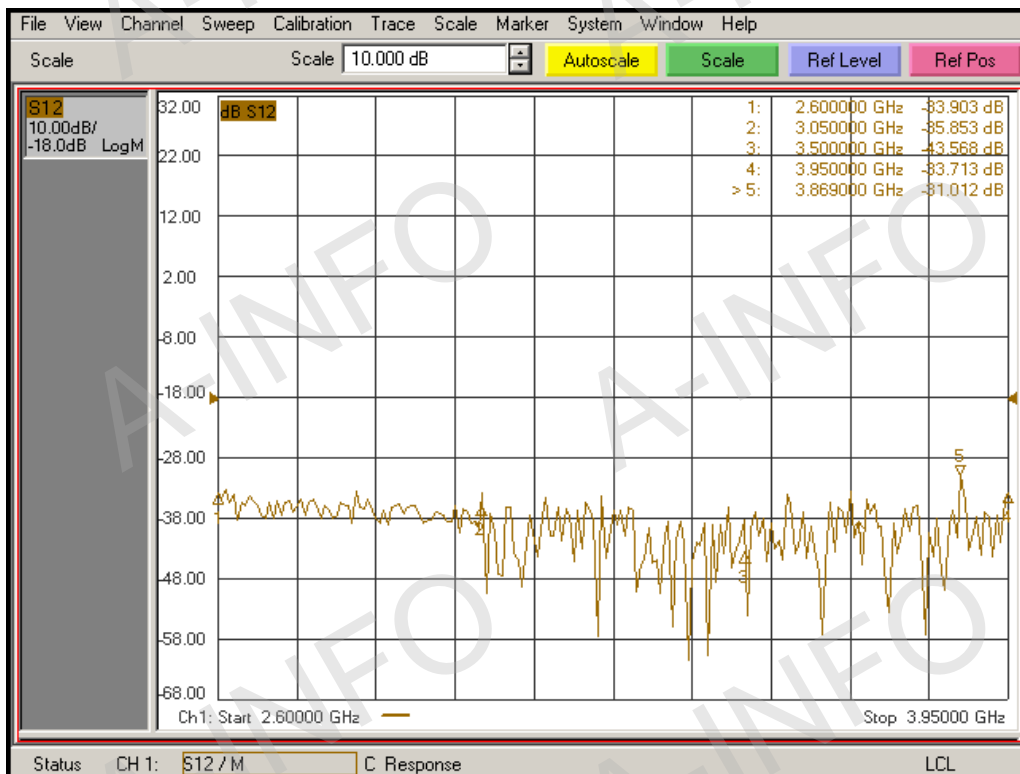
Website: www.ainfoinc.com
Email: sales@ainfoinc.com

Test Results

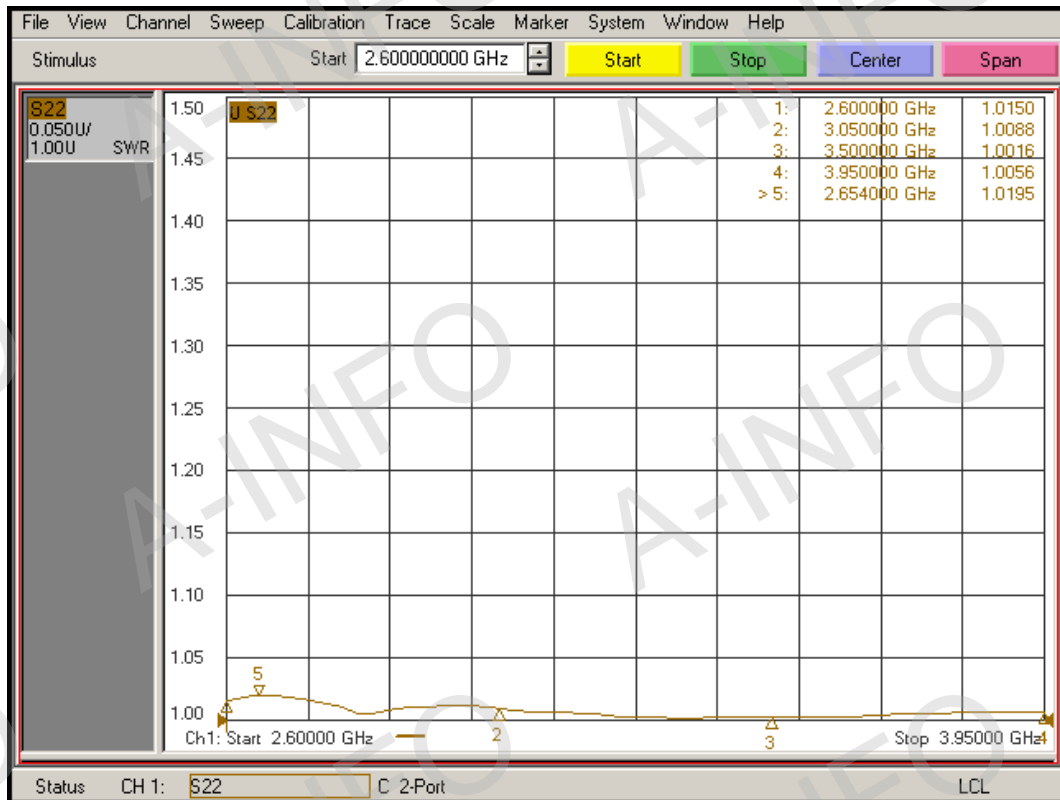
Coupling



Directivity



Mainline VSWR



Secondline VSWR

