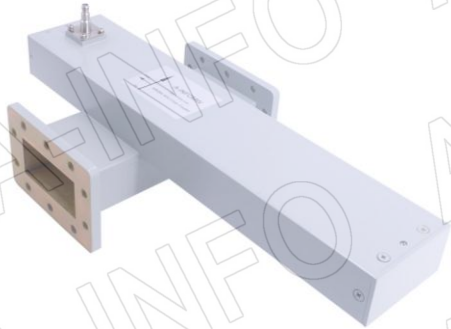
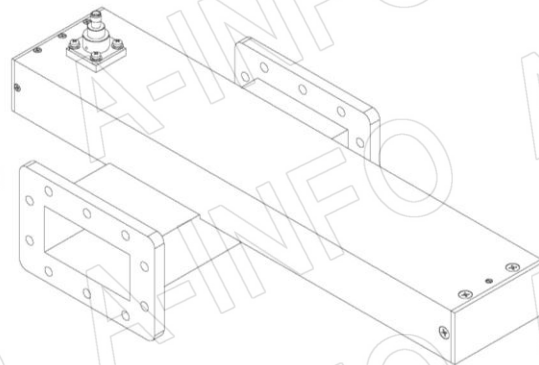
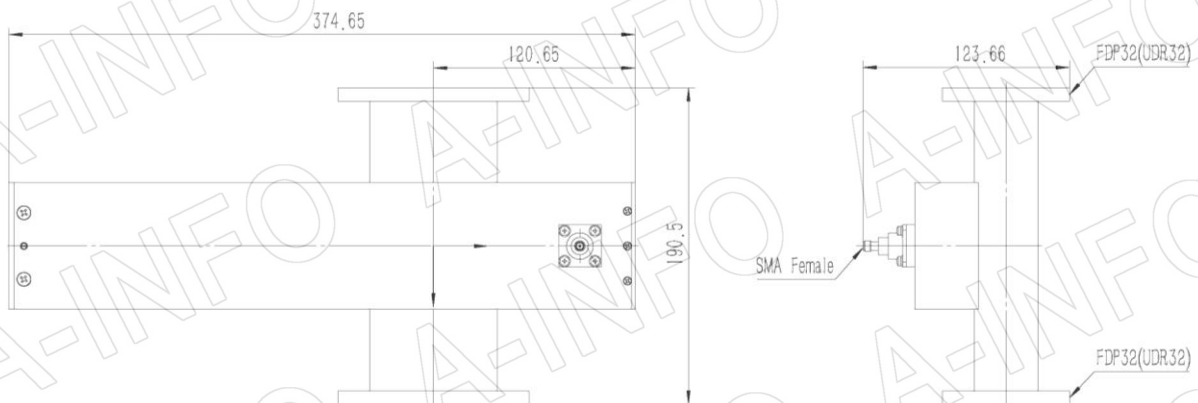


## Technical Specification



EIA WR	WR284
Frequency Range(GHz)	2.60 - 3.95
Coupling(dB)	30
Coupling Accuracy(dB)	±0.7 Max.
Frequency Sensitivity(dB)	±1.0 Max.
Directivity(dB)	18 Min.
Insertion Loss(dB)	0.1 Max. (Not including the theoretical loss $4.35 \times 10^{-3}$ dB)
Mainline VSWR	1.10:1 Max.
Secondline VSWR	1.25:1 Max.
Flange	FDP32(UDR32)
Connector	SMA-Female
Material	Al
Size(mm)	374.65 x 190.5 x 123.66
Net Weight(Kg)	1.36 Around

## Outline Drawing (Size: mm)



AINFO Inc.

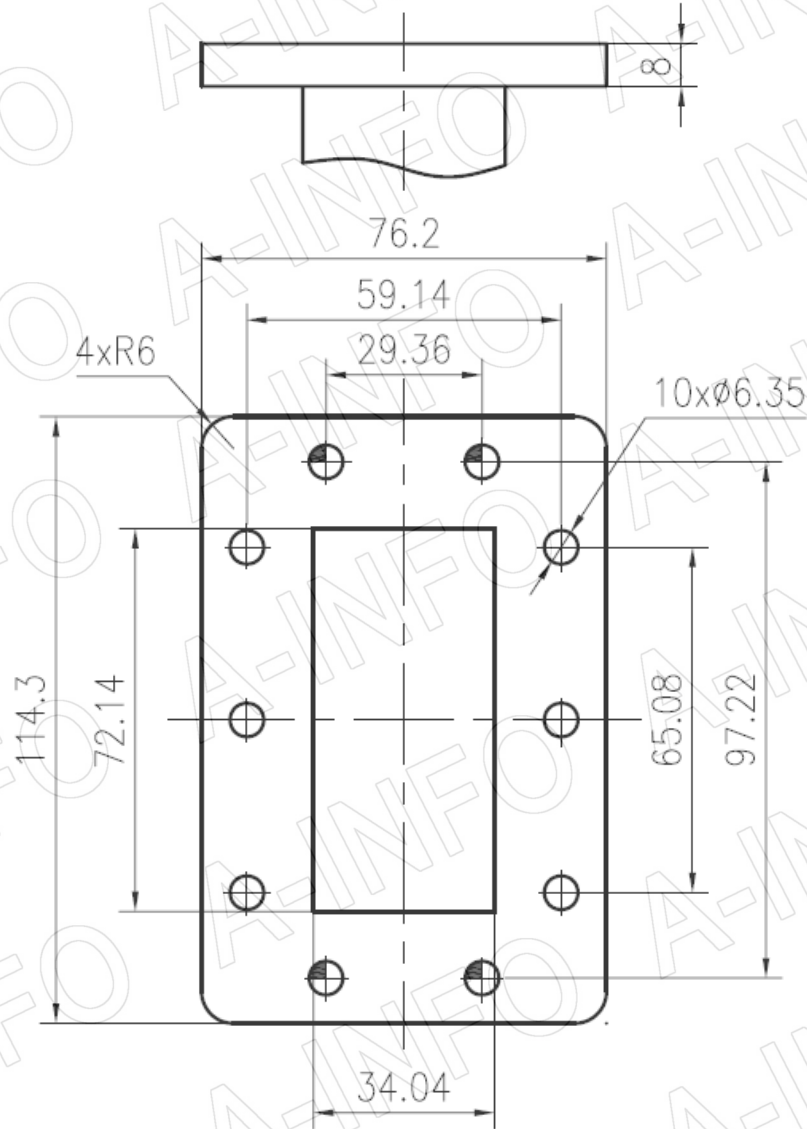
Page 1 of 5

China(Beijing): Tel: (+86) 10-6266-7326,  
China(Chengdu): Tel: (+86) 28-8519-2786,  
USA: Tel: (+1) 949-639-9688,

(+86) 10-6266-7327 Fax: (+86) 10-6266-7379  
(+86) 28-8519-3044 Fax: (+86) 28-8519-3068  
(+1) 949-639-9608 Fax: (+1) 949-639-9670

Website: [www.ainfoinc.com](http://www.ainfoinc.com)  
Email: [sales@ainfoinc.com](mailto:sales@ainfoinc.com)

## Flange Drawing (Size: mm)



### FDP32

AINFO Inc.

Page 2 of 5

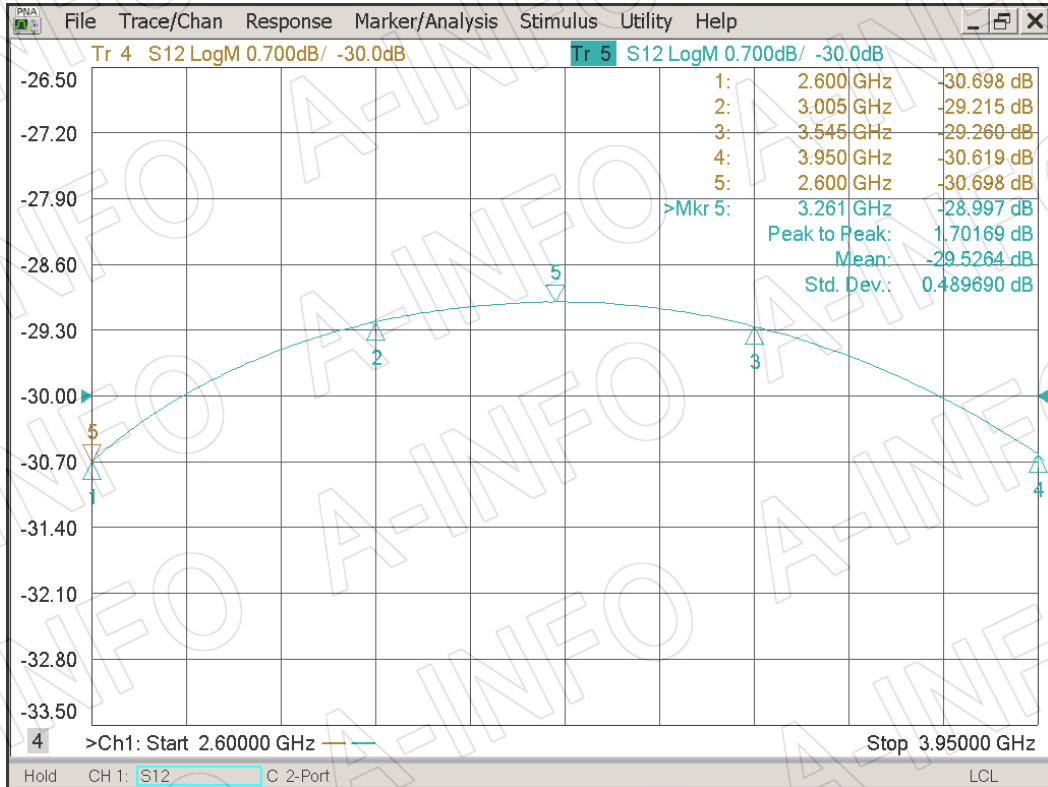
China(Beijing): Tel: (+86) 10-6266-7326,  
China(Chengdu): Tel: (+86) 28-8519-2786,  
USA: Tel: (+1) 949-639-9688,

(+86) 10-6266-7327 Fax: (+86) 10-6266-7379  
(+86) 28-8519-3044 Fax: (+86) 28-8519-3068  
(+1) 949-639-9608 Fax: (+1) 949-639-9670

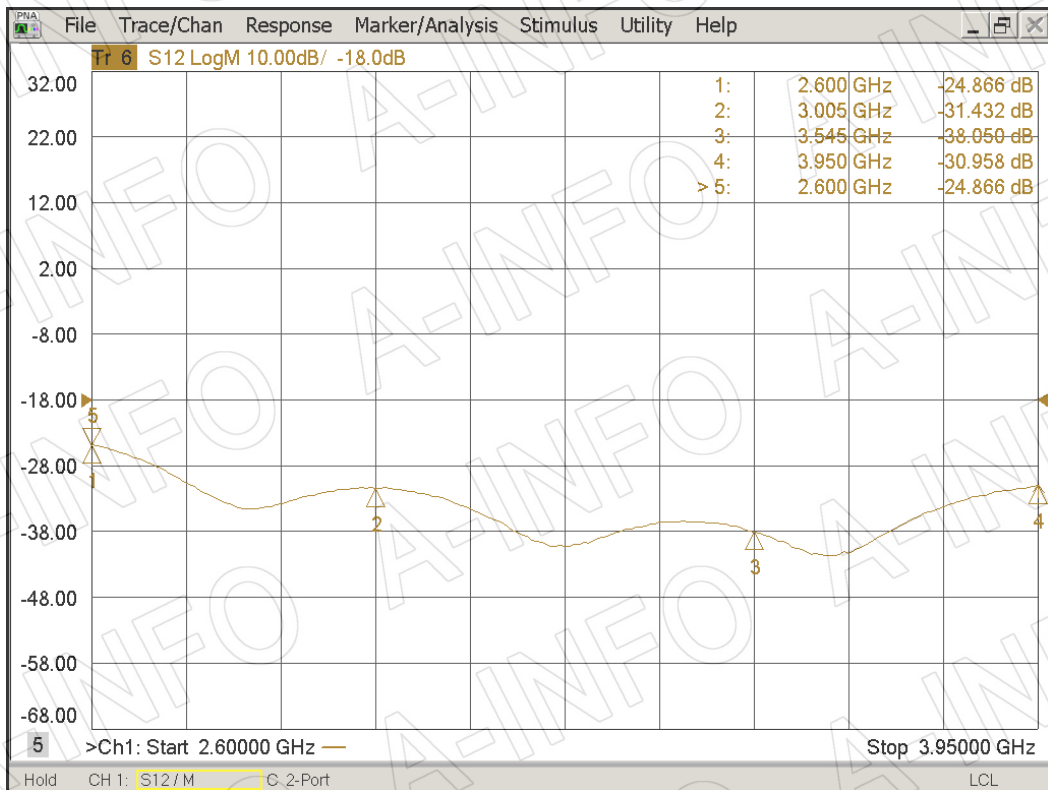
Website: [www.ainfoinc.com](http://www.ainfoinc.com)  
Email: [sales@ainfoinc.com](mailto:sales@ainfoinc.com)

## Test Results

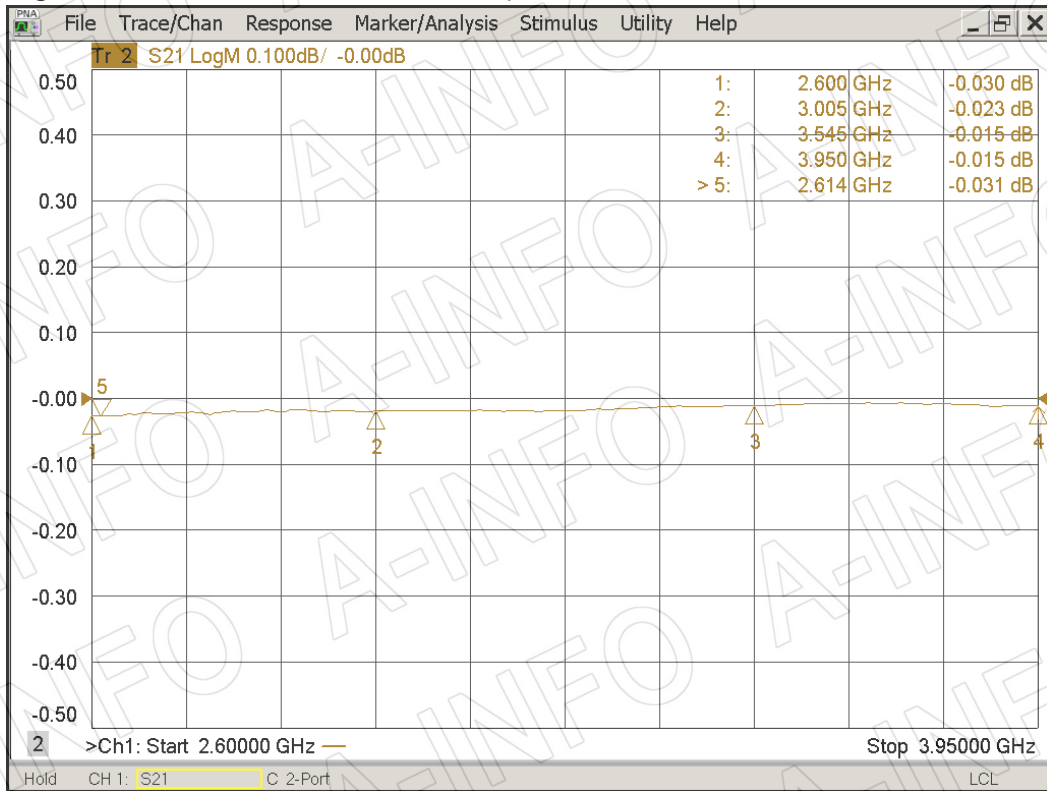
### Coupling



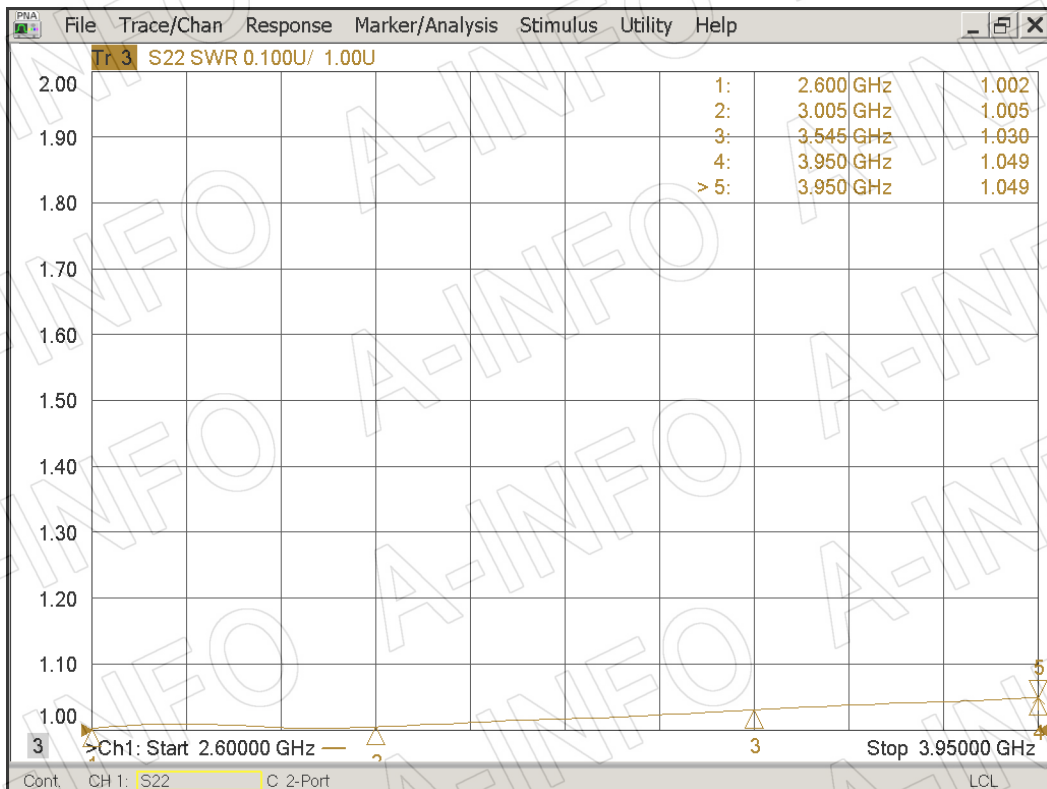
### Directivity



I.L. (Including the theoretical loss  $4.35 \times 10^{-3}$  dB)



Mainline VSWR



## Secondline VSWR

