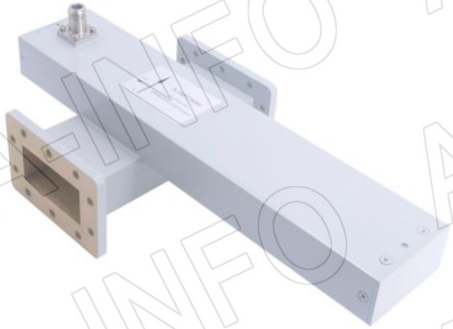
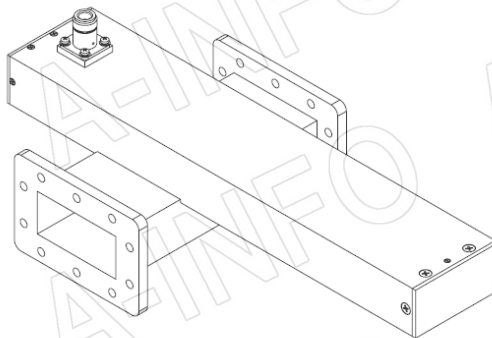
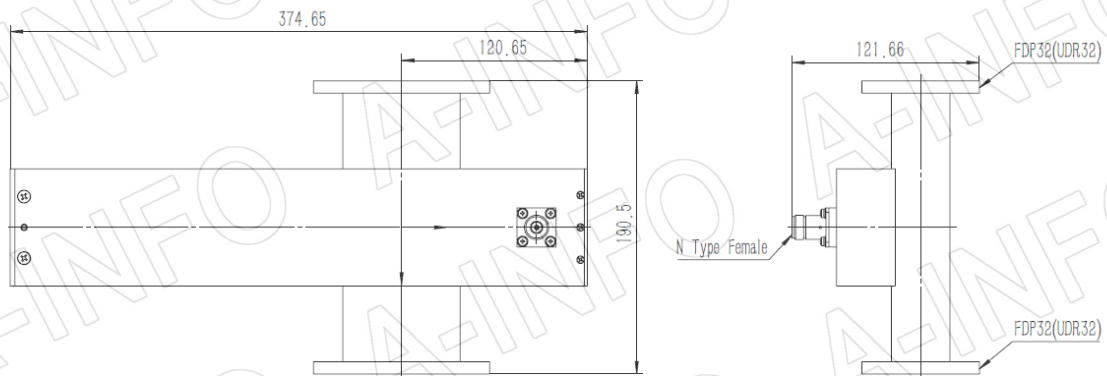


Technical Specification



EIA WR	WR284
Frequency Range(GHz)	2.60 - 3.95
Coupling(dB)	50
Coupling Accuracy(dB)	±0.7 Max.
Frequency Sensitivity(dB)	±1.0 Max.
Directivity(dB)	18 Min.
Insertion Loss(dB)	0.1 Max. (Not including the theoretical loss 4.34×10^{-5} dB)
Mainline VSWR	1.05:1 Max.
Secondline VSWR	1.25:1 Max.
Flange	FDP32(UDR32)
Connector	N-Female
Material	Al
Size(mm)	374.65 x 190.5 x 121.66
Net Weight(Kg)	1.36 Around

Outline Drawing (Size: mm)



AINFO Inc.

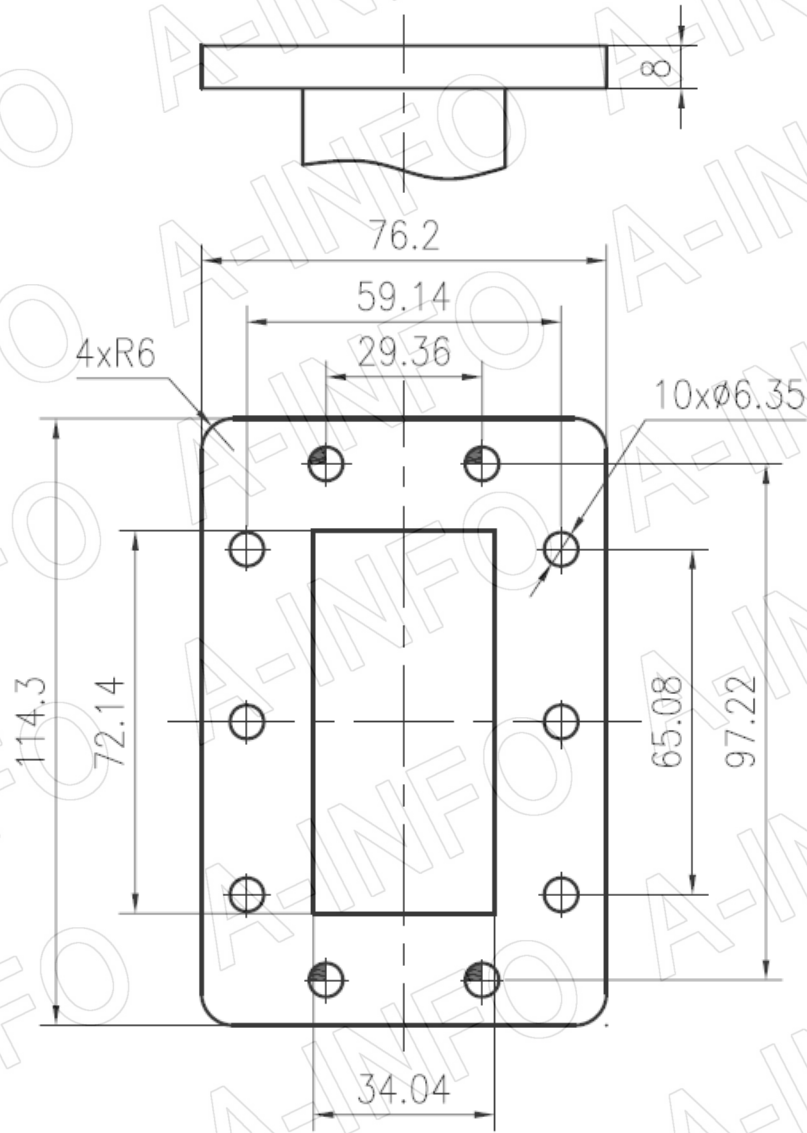
Page 1 of 5

China(Beijing): Tel: (+86) 10-6266-7326,
China(Chengdu): Tel: (+86) 28-8519-2786,
USA: Tel: (+1) 949-639-9688,

(+86) 10-6266-7327 Fax: (+86) 10-6266-7379
(+86) 28-8519-3044 Fax: (+86) 28-8519-3068
(+1) 949-639-9608 Fax: (+1) 949-639-9670

Website: www.ainfoinc.com
Email: sales@ainfoinc.com

Flange Drawing (Size: mm)



FDP32

AINFO Inc.

Page 2 of 5

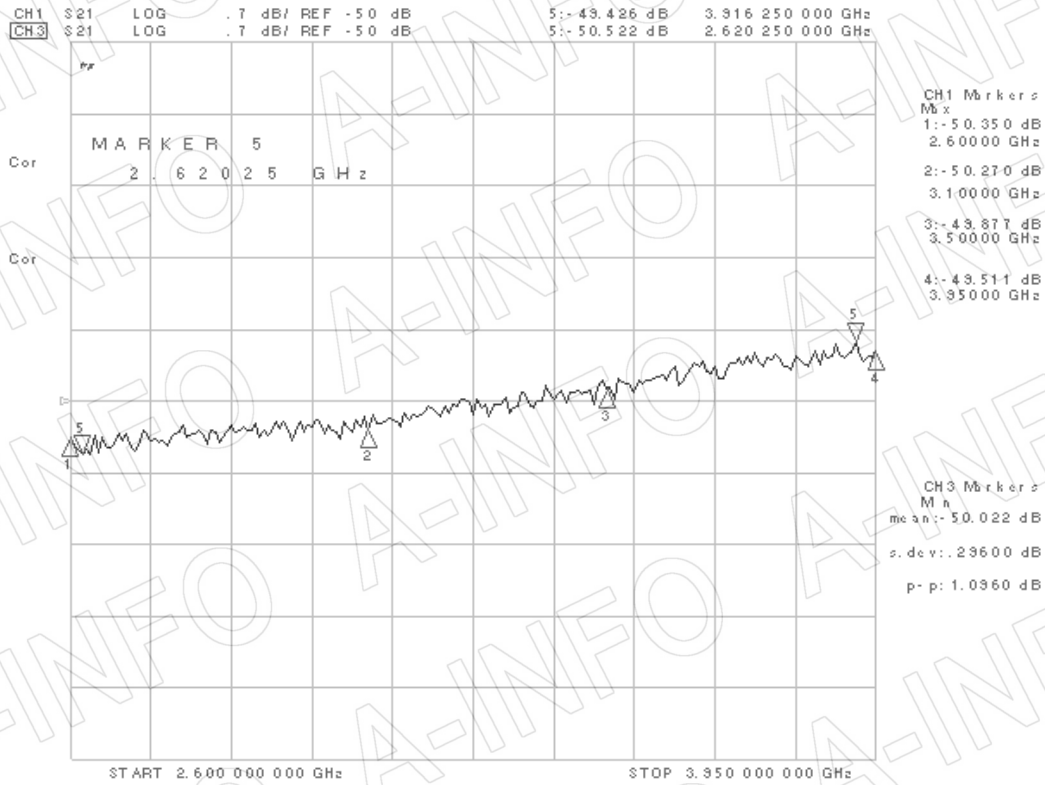
China(Beijing): Tel: (+86) 10-6266-7326,
China(Chengdu): Tel: (+86) 28-8519-2786,
USA: Tel: (+1) 949-639-9688,

(+86) 10-6266-7327 Fax: (+86) 10-6266-7379
(+86) 28-8519-3044 Fax: (+86) 28-8519-3068
(+1) 949-639-9608 Fax: (+1) 949-639-9670

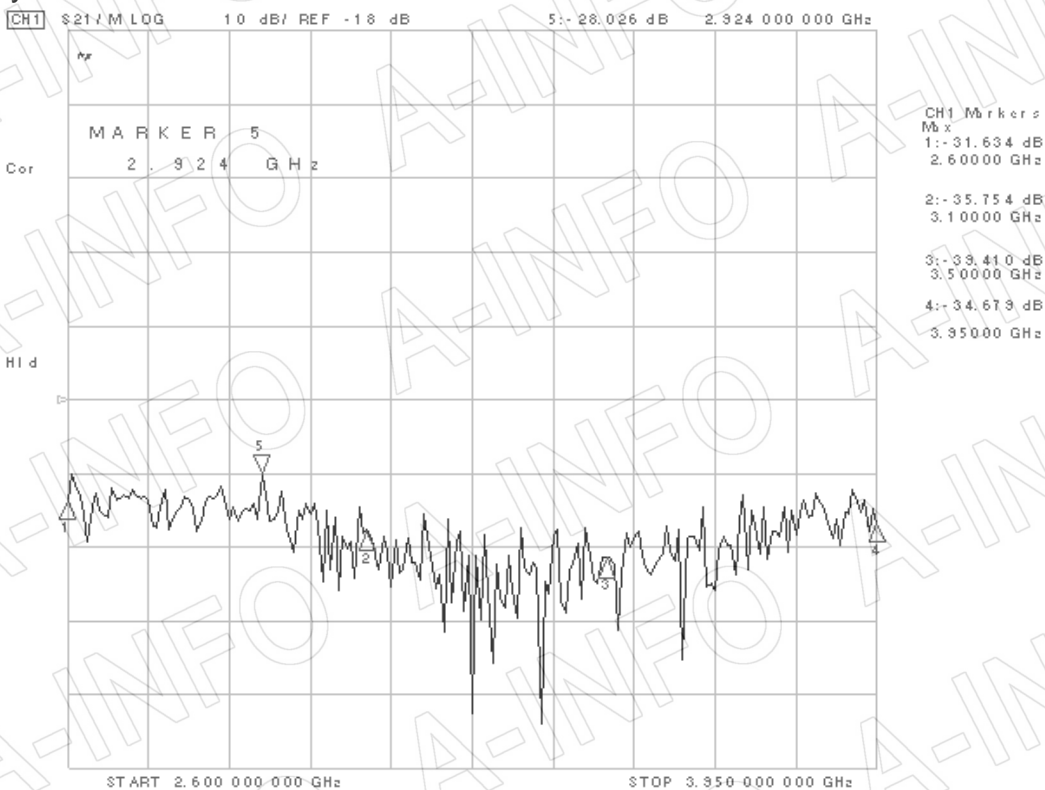
Website: www.ainfoinc.com
Email: sales@ainfoinc.com

Test Results

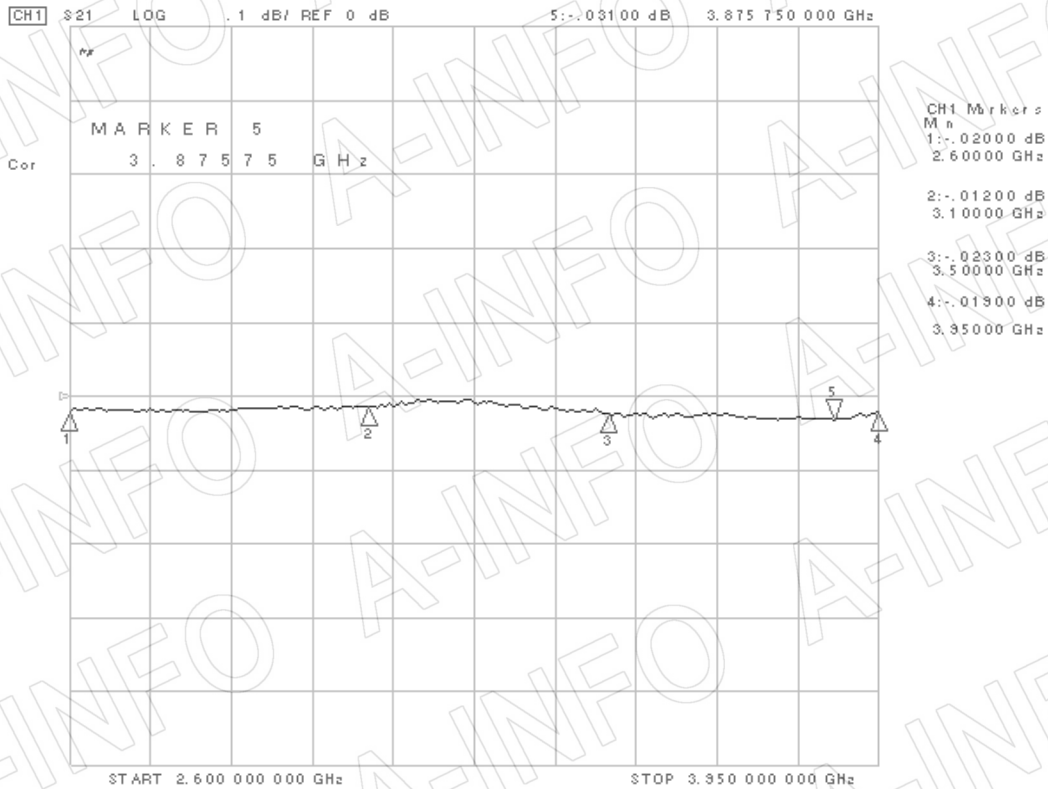
Coupling



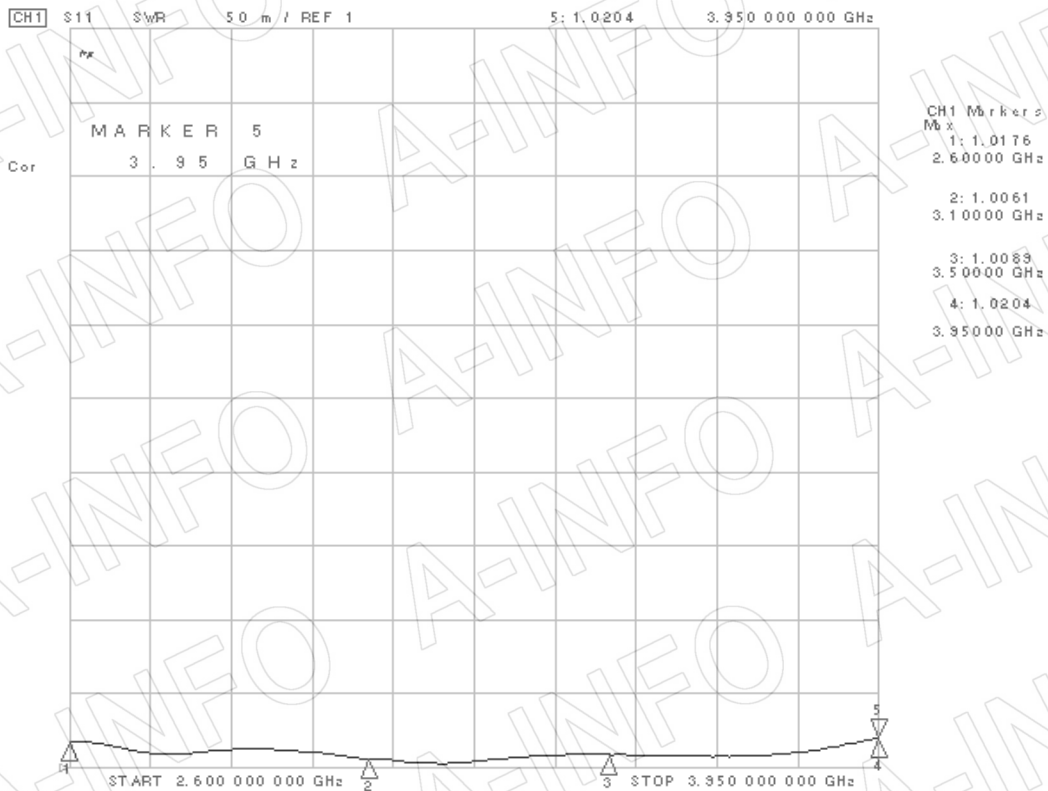
Directivity



I.L. (Including the theoretical loss 4.34×10^{-5} dB)



Mainline VSWR



Secondline VSWR

