

Technical Specification

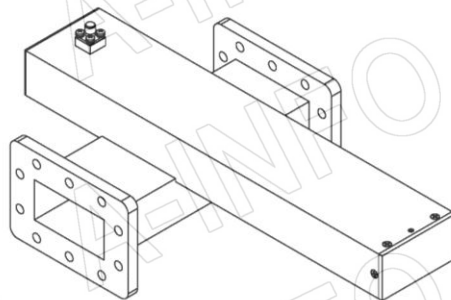
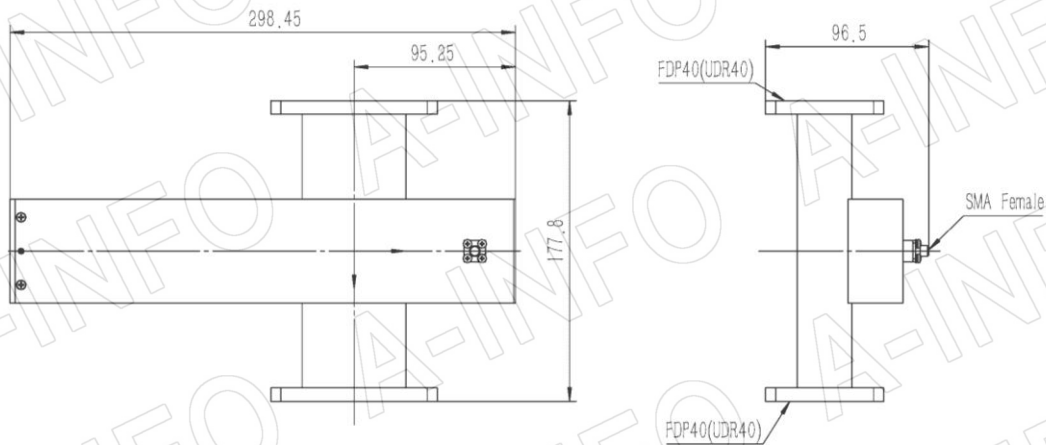


EIA WR	WR229
Frequency Range(GHz)	3.3 - 4.9
Coupling(dB)	40
Coupling Accuracy(dB)	±0.7 Max.
Freq. Sensitivity(dB)	±1.0 Max.
Directivity(dB)	18 Min.
Insertion Loss(dB)	0.1 Max. (Not including the theoretical loss 4.34×10^{-4} dB)
Mainline VSWR	1.05:1 Max.
Secondline VSWR	1.25:1 Max.
Flange	FDP40(UDR40)
Coupling Port	SMA-Female / SMA-Male
Material	Al
Size(mm)	298.45 x 177.8 x 96.5
Net Weight(Kg)	0.8 Around

Outline Drawing (Size: mm)

Coupling Port: SMA-Female

For SMA-Male connector Coupling Port outline drawing, please contact A-INFO.



AINFO Inc.

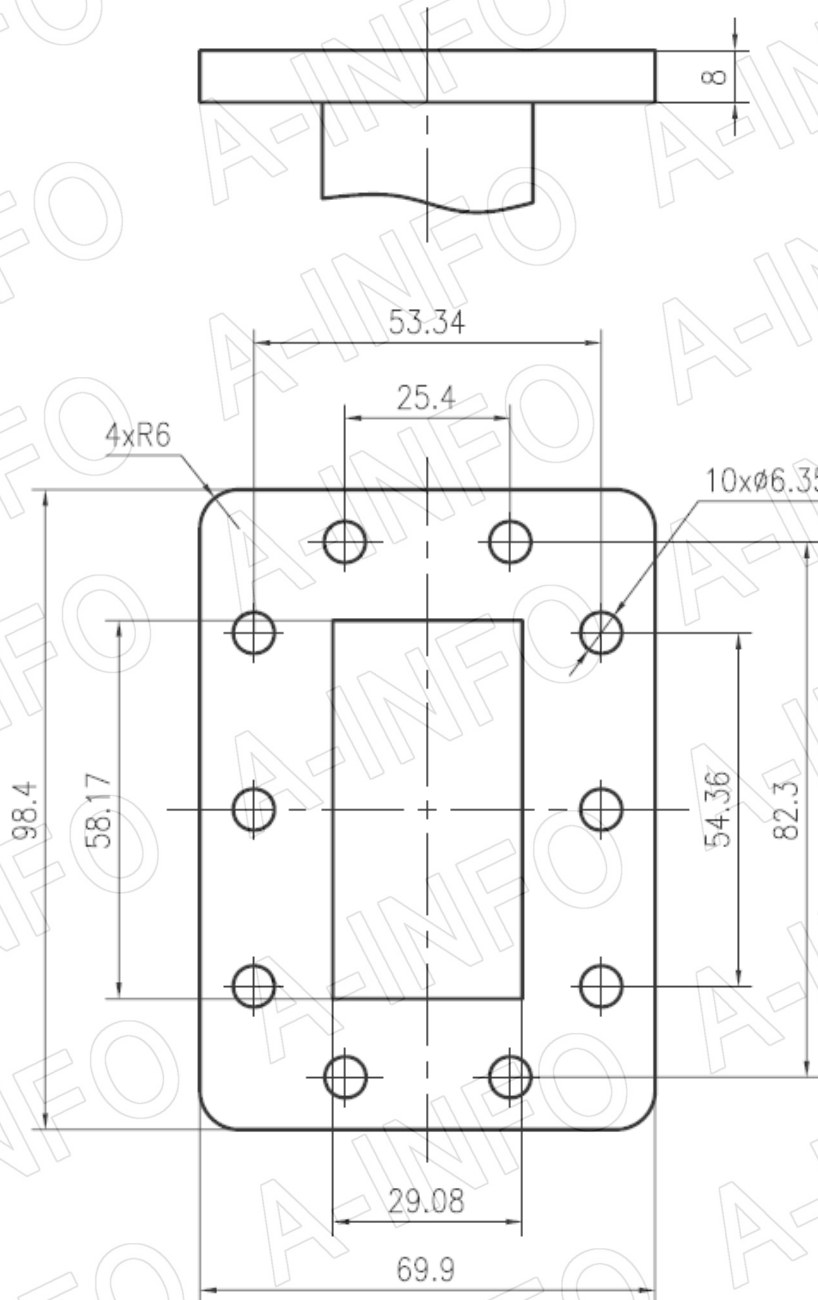
Page 1 of 5

China(Beijing): Tel: (+86) 10-6266-7326,
China(Chengdu): Tel: (+86) 28-8519-2786,
USA: Tel: (+1) 949-639-9688,

(+86) 10-6266-7327 Fax: (+86) 10-6266-7379
(+86) 28-8519-3044 Fax: (+86) 28-8519-3068
(+1) 949-639-9608 Fax: (+1) 949-639-9670

Website: www.ainfoinc.com
Email: sales@ainfoinc.com

Flange Drawing (Size: mm)



FDP40

AINFO Inc.

Page 2 of 5

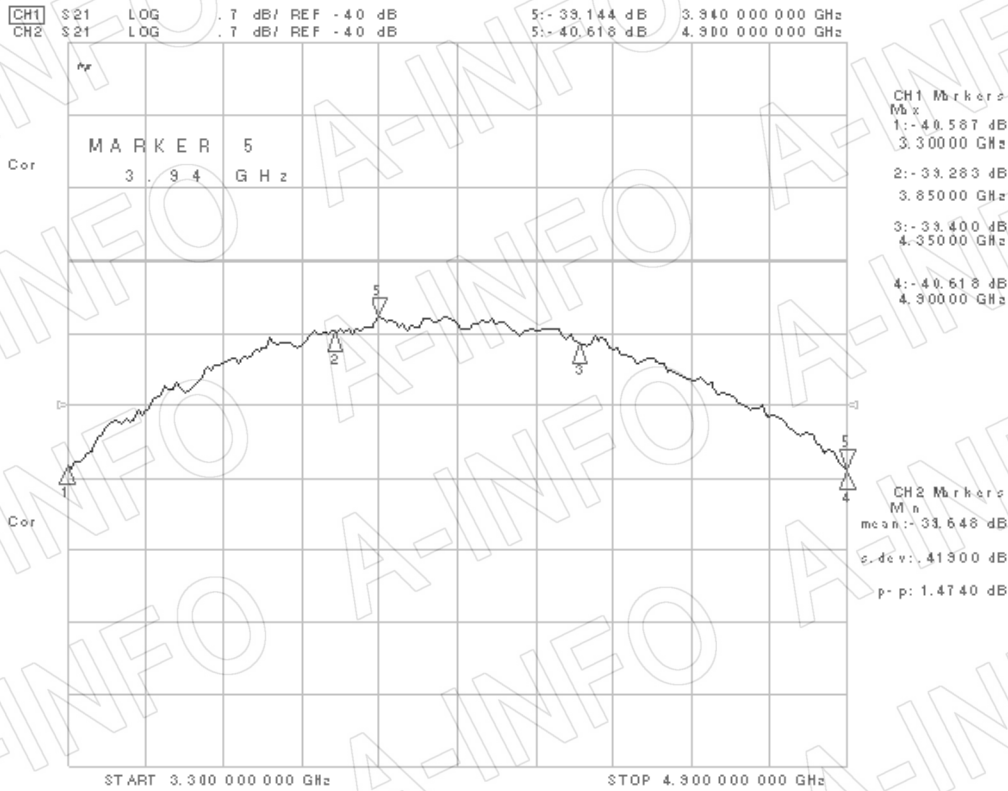
China(Beijing): Tel: (+86) 10-6266-7326,
China(Chengdu): Tel: (+86) 28-8519-2786,
USA: Tel: (+1) 949-639-9688,

(+86) 10-6266-7327 Fax: (+86) 10-6266-7379
(+86) 28-8519-3044 Fax: (+86) 28-8519-3068
(+1) 949-639-9608 Fax: (+1) 949-639-9670

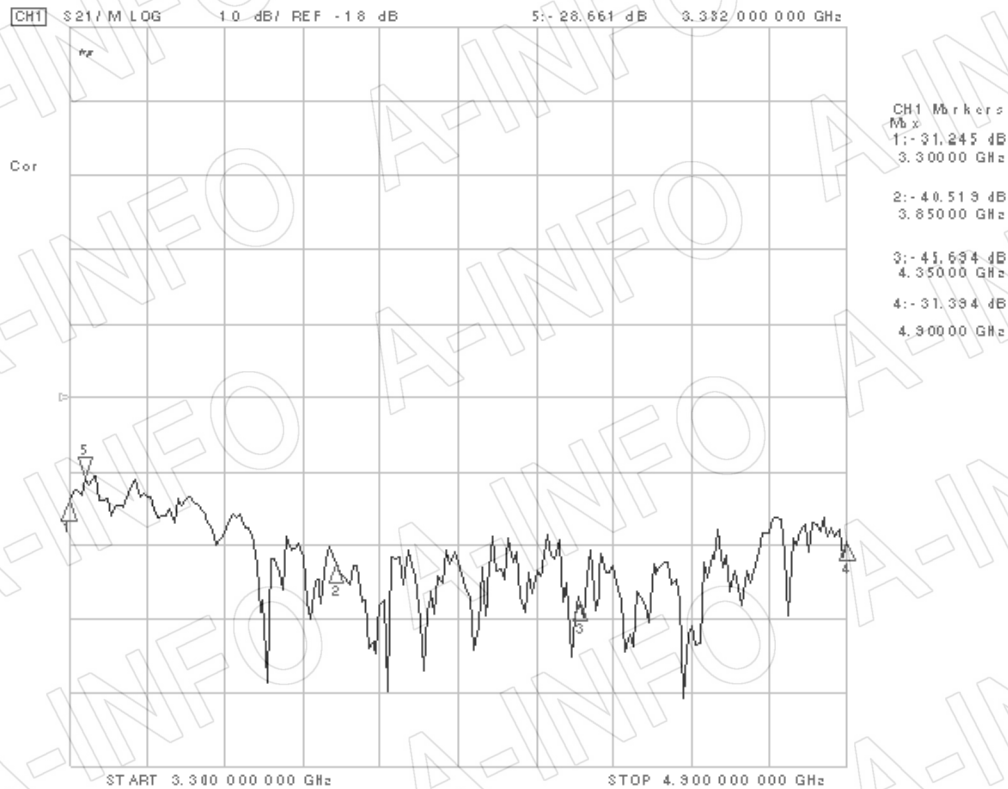
Website: www.ainfoinc.com
Email: sales@ainfoinc.com

Test Results

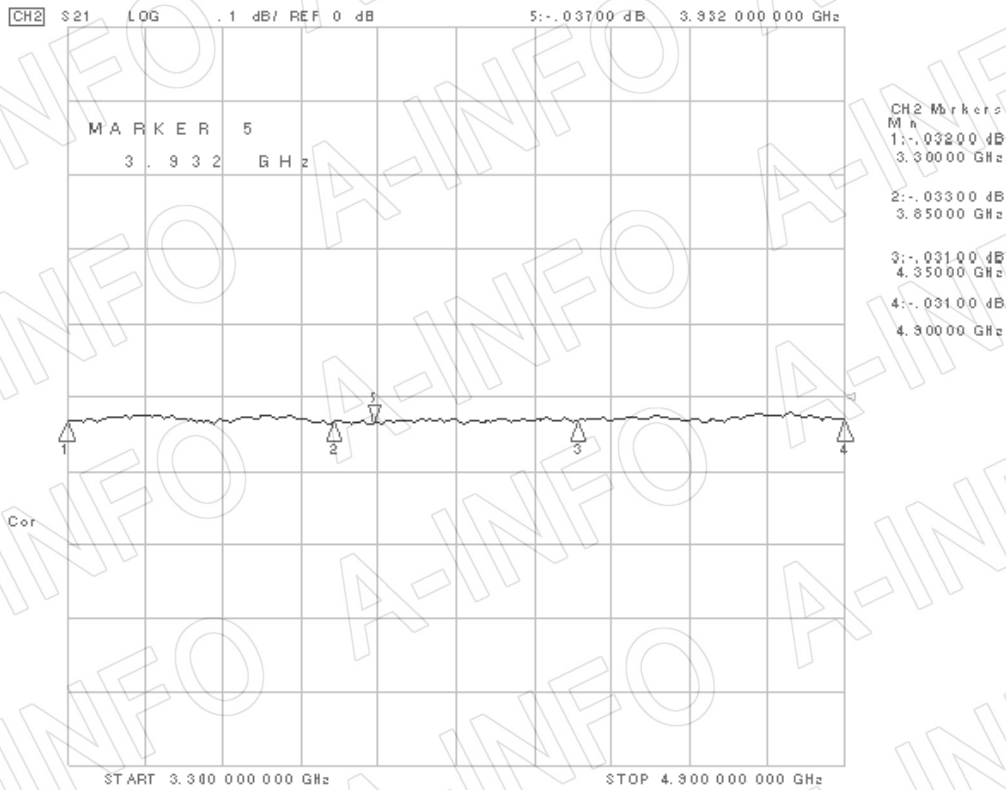
Coupling



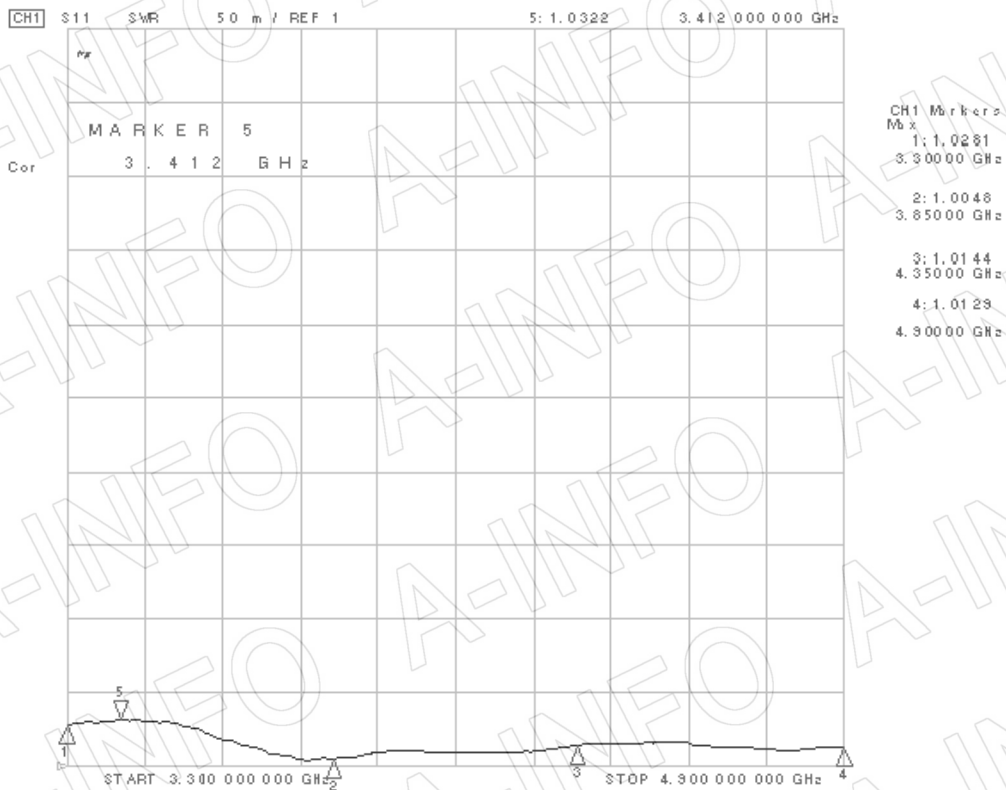
Directivity



I.L. (Including the theoretical loss 4.34×10^{-4} dB)



Mainline VSWR



AINFO Inc.

Page 4 of 5

China(Beijing):
China(Chengdu):
USA :

Tel: (+86) 10-6266-7326,
Tel: (+86) 28-8519-2786,
Tel: (+1) 949-639-9688,

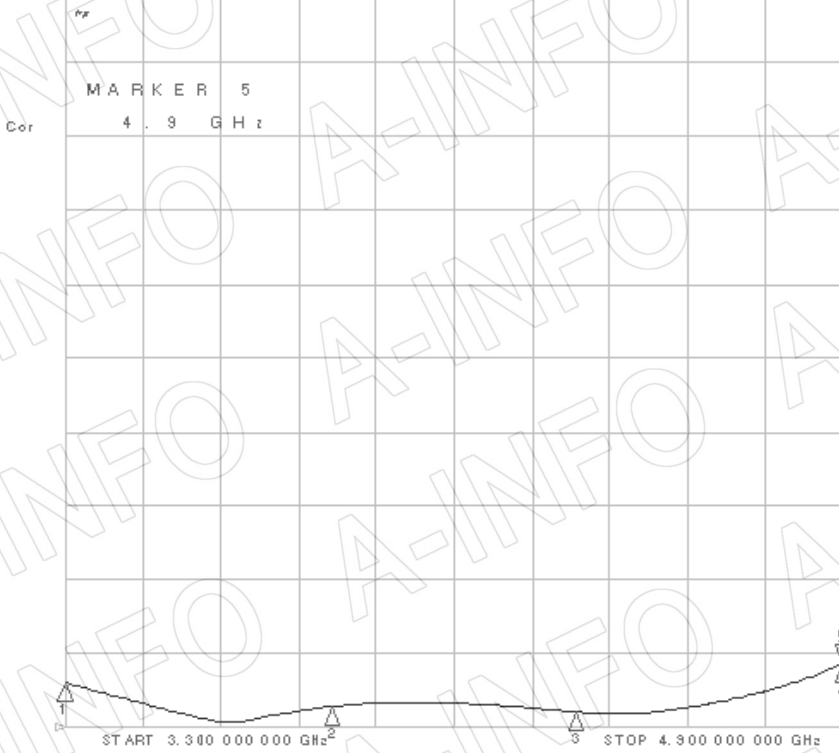
(+86) 10-6266-7327
(+86) 28-8519-3044
(+1) 949-639-9608

Fax: (+86) 10-6266-7379
Fax: (+86) 28-8519-3068
Fax: (+1) 949-639-9670

Website: www.ainfoinc.com
Email: sales@ainfoinc.com

Secondline VSWR

CH1 S11 SWR 250 m / REF 1 5: 1.2161 4.300 000 000 GHz



CH1 Markers
Mtx
1: 1.1518
3.3000 GHz
2: 1.0703
3.8500 GHz
3: 1.0518
4.3500 GHz
4: 1.2161
4.3000 GHz