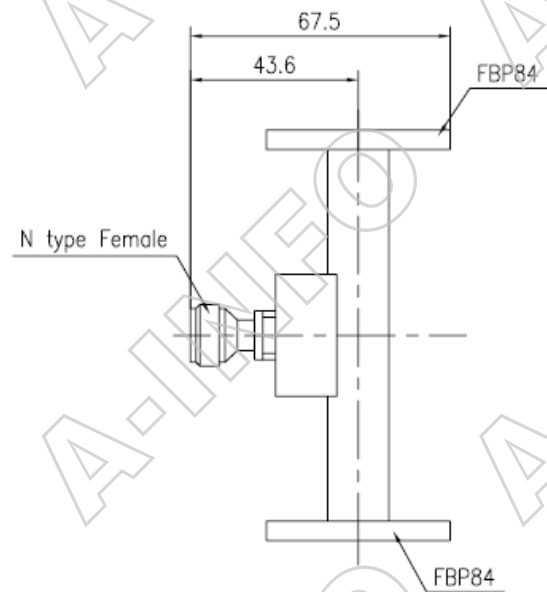
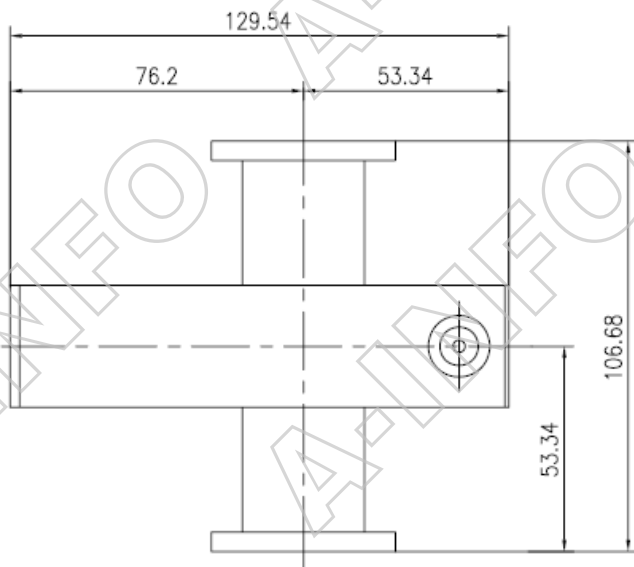


## Technical Specification

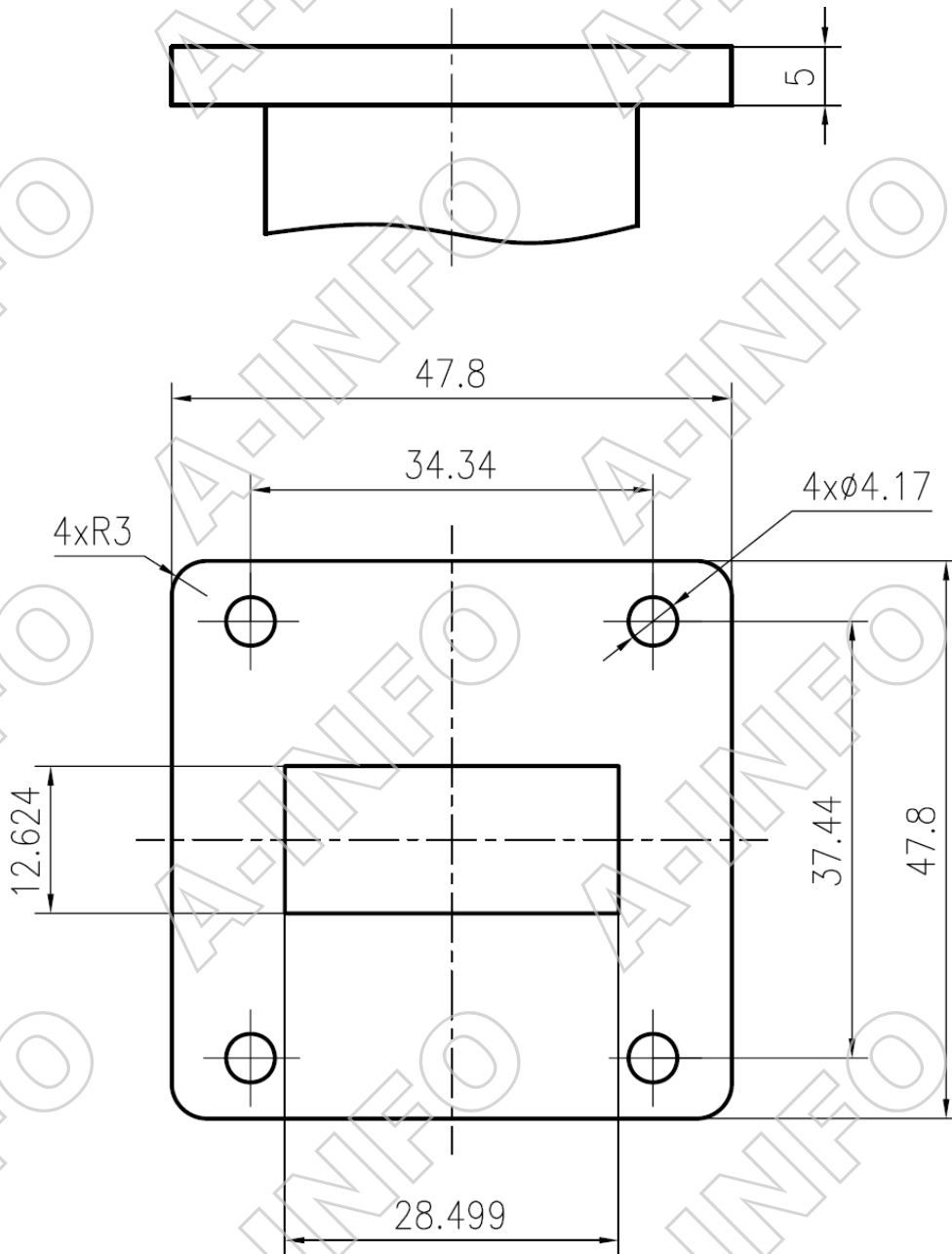


EIA WR	WR112
Frequency Range(GHz)	7.05-10.0
Coupling(dB)	50
Coupling Accuracy(dB)	±0.7
Frequency Sensitivity(dB)	±1.0
Directivity(dB)	18 min
Mainline VSWR	1.05 max
Secondline VSWR	1.25 max
Flange	FBP84
Coupling Port	N-Female
Material	Cu
Net Weight(Kg)	0.5 Around

## Outline Drawing (Size: mm)



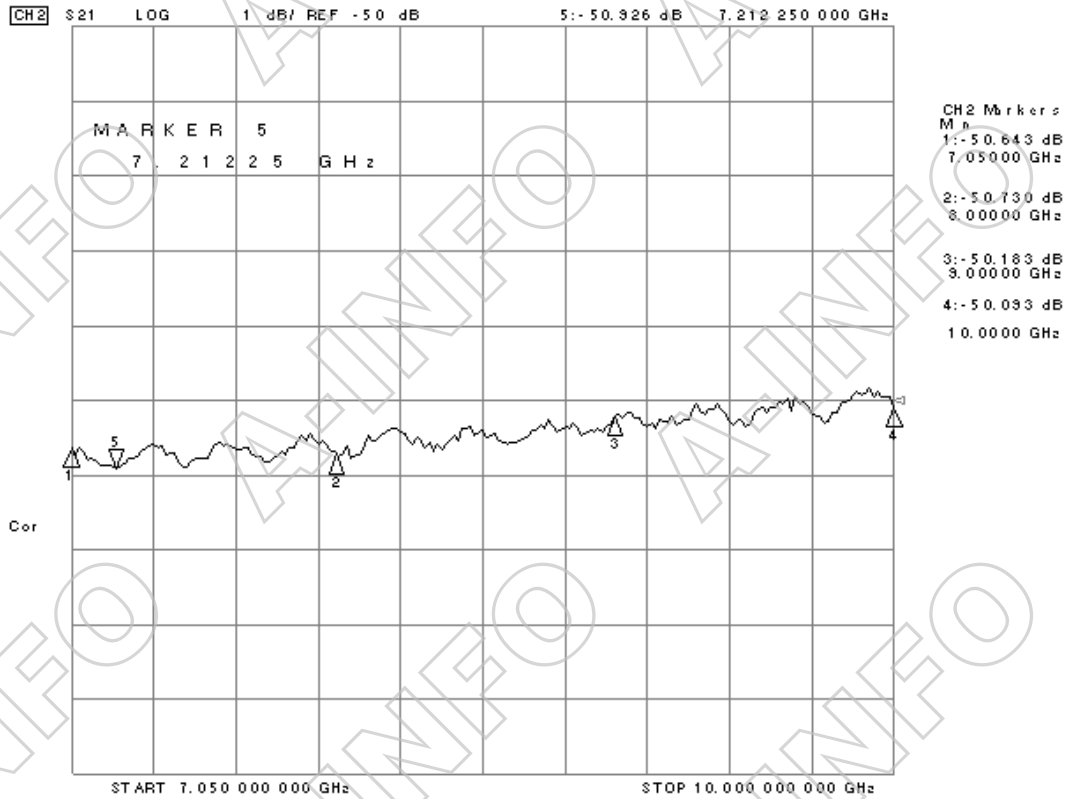
## Flange Drawing (Size: mm)



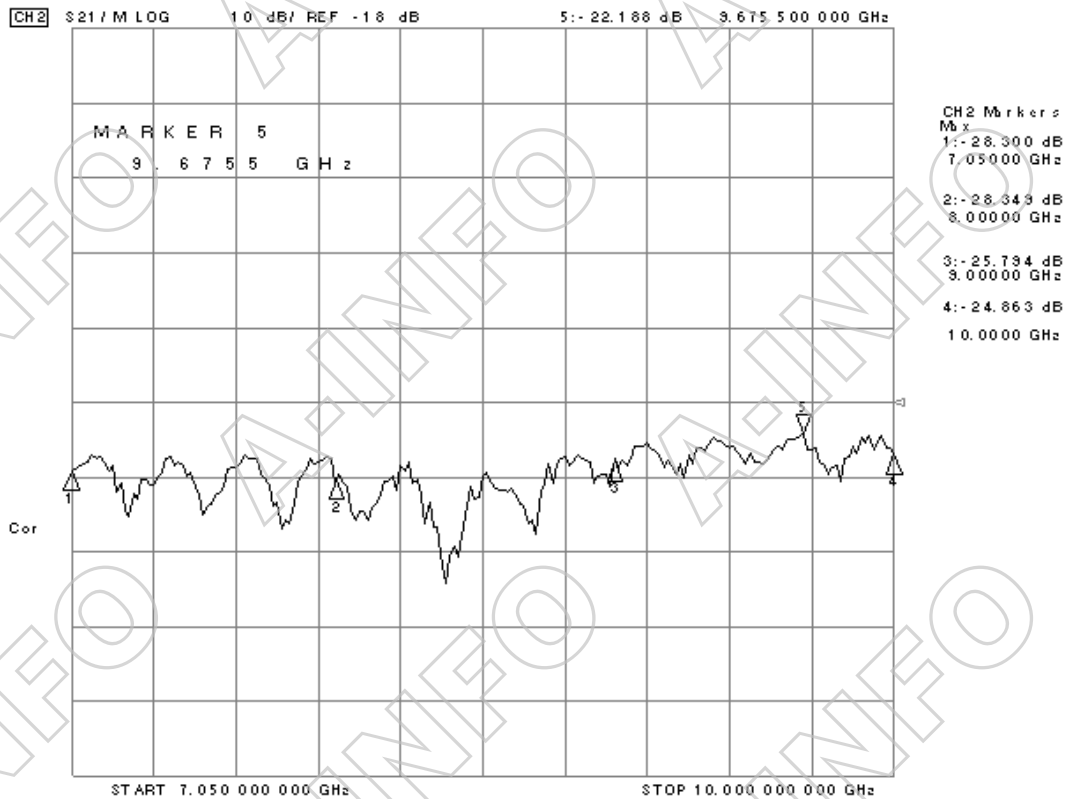
## FBP84

## Test Results

### Coupling

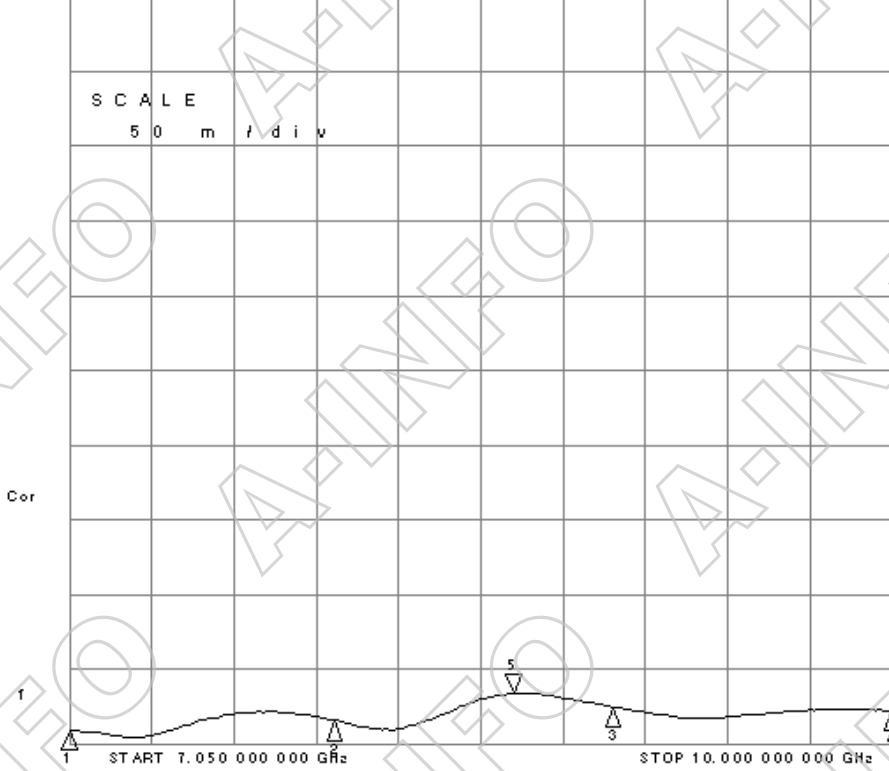


### Directivity



## Mainline VSWR

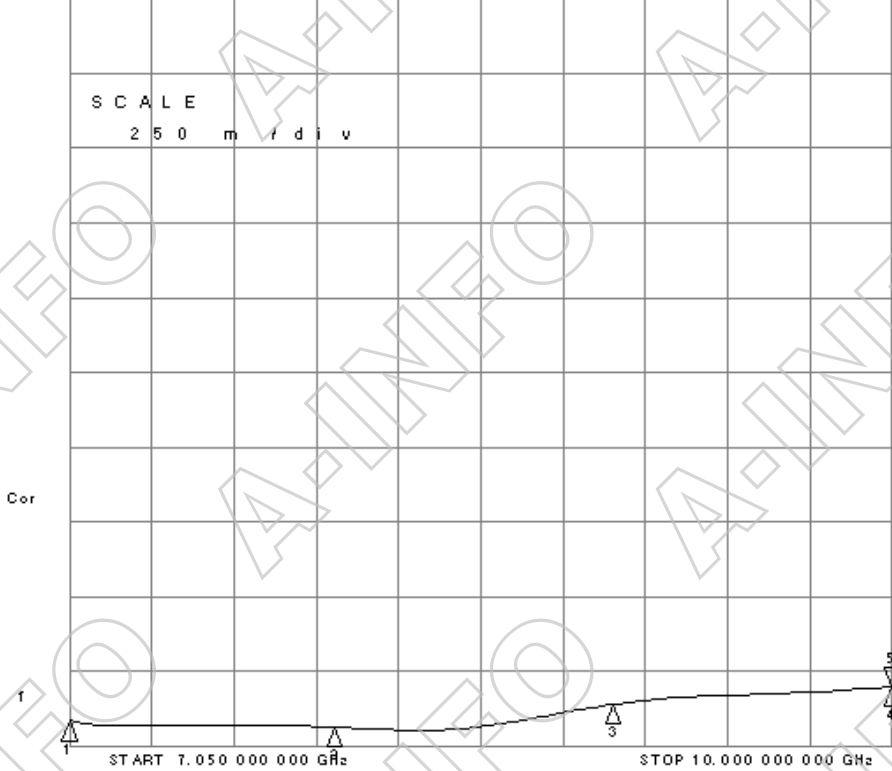
CH2 S22 SWR 50 m / REF 1 5: 1.0344 8.643 000 000 GHz



CH2 Marker s  
Mk x  
1: 1.0036  
7.05000 GHz  
2: 1.0160  
8.00000 GHz  
3: 1.0250  
9.00000 GHz  
4: 1.0228  
10.0000 GHz

## Secondline VSWR

CH2 S22 SWR 250 m / REF 1 5: 1.2006 10.000 000 000 GHz



CH2 Marker s  
Mk x  
1: 1.0860  
7.05000 GHz  
2: 1.0639  
8.00000 GHz  
3: 1.1409  
9.00000 GHz  
4: 1.2006  
10.0000 GHz