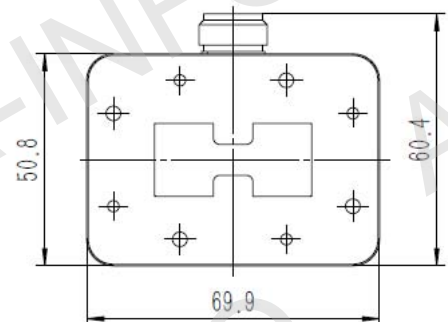
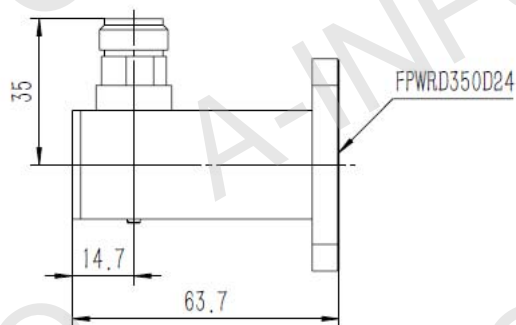
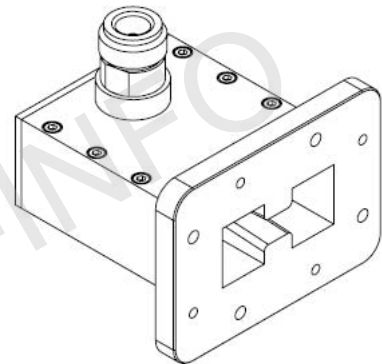
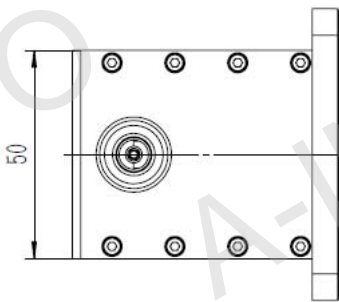


Technical Specification



EIA WRD	WRD350
Frequency Range(GHz)	3.5-8.2
Insertion Loss(dB)	0.25 Max.
VSWR	1.30:1 Max.
Flange	FPWRD350D24
Connector	High Power N-Female
Average Power(W)	750 CW
Material	Al
Size(mm)	63.7 x 69.9 x 60.4
Net Weight(Kg)	0.2 Around

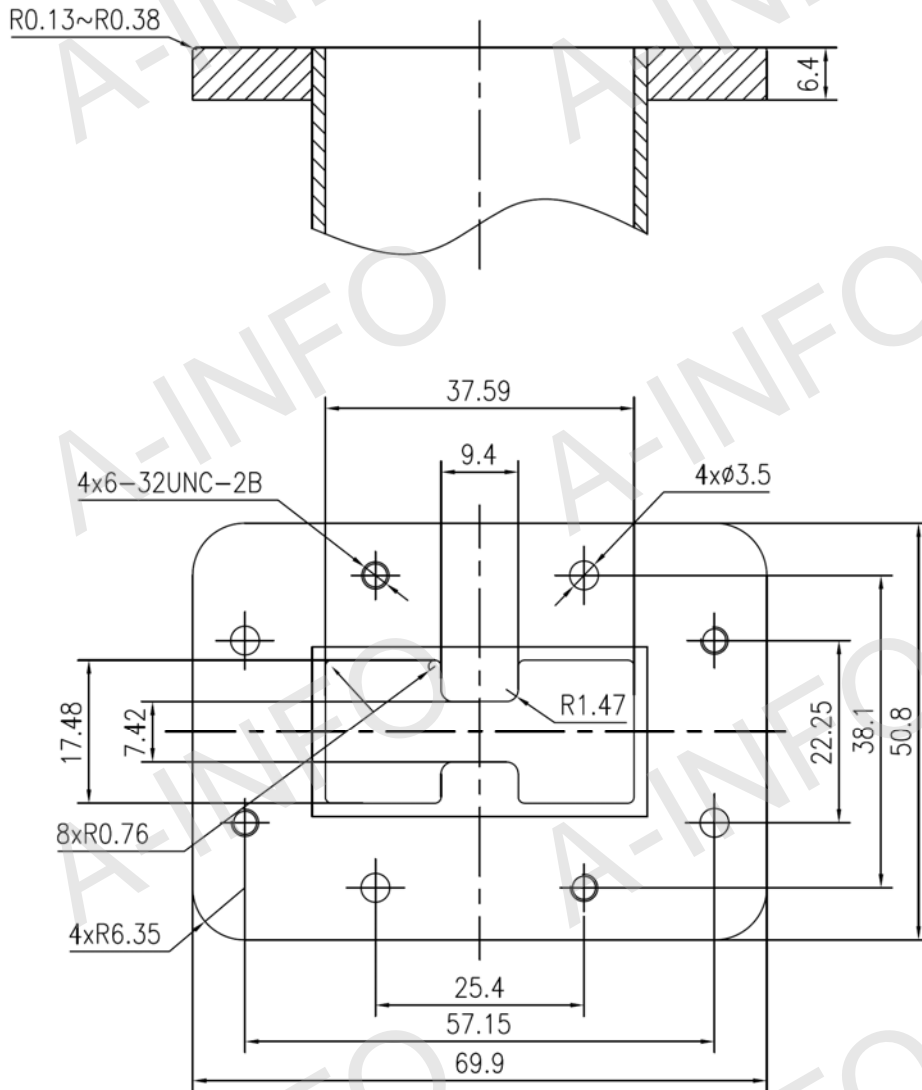
Outline Drawing (Size: mm)



Flange Drawing (Size: mm)

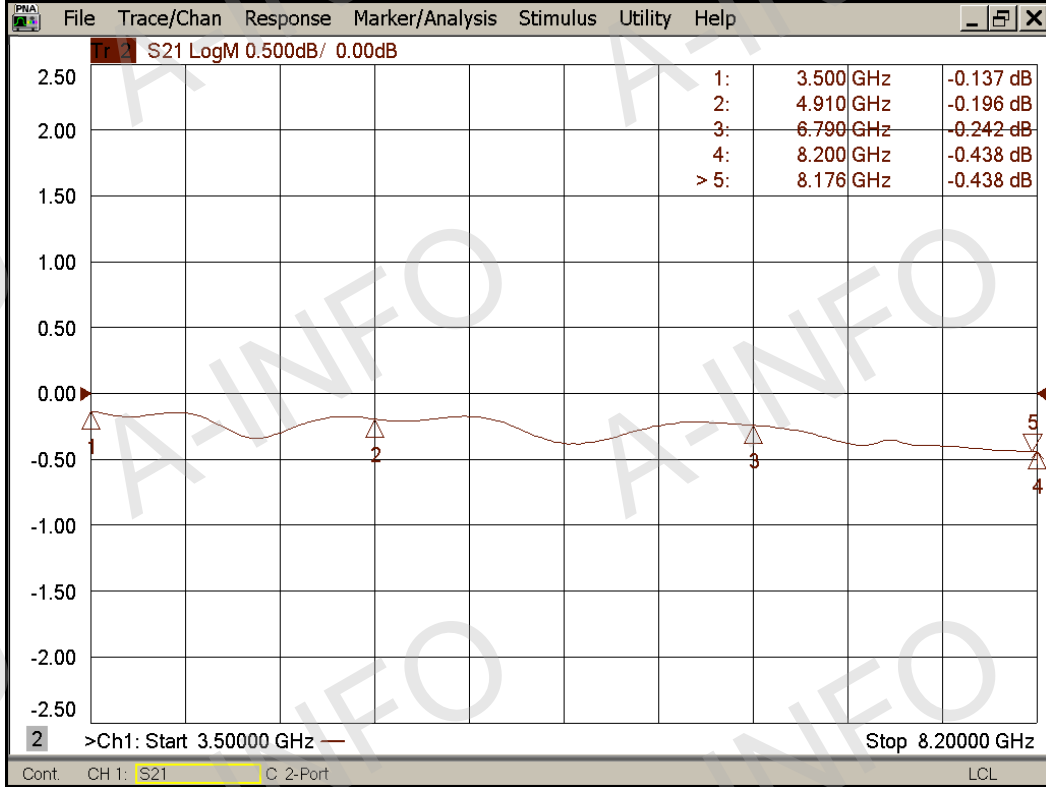
FPWRD350D24

(With four through mounting holes
and four screws holes)

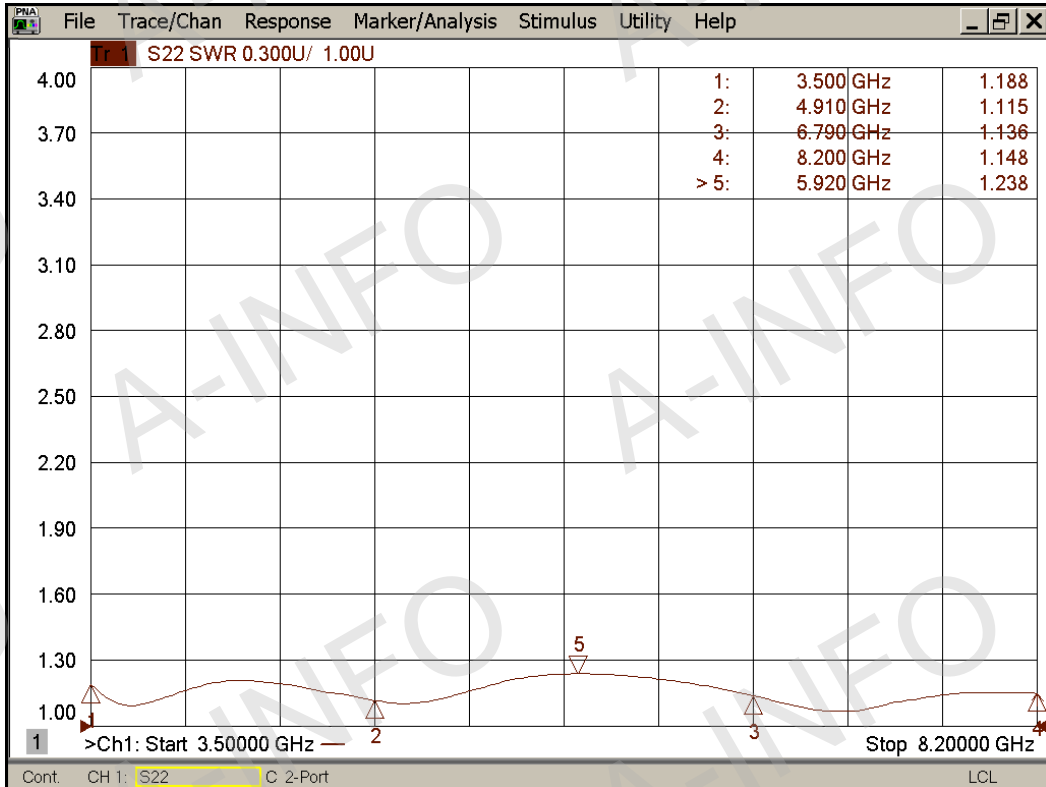


Test Results

I.L. (Test with two adapters back to back)



VSWR



AINFO Inc.

Page 3 of 3

China(Beijing):
China(Chengdu):
USA :

Tel: (+86) 10-6266-7326,
Tel: (+86) 28-8519-2786,
Tel: (+1) 949-639-9688,

(+86) 10-6266-7327
(+86) 28-8519-3044
(+1) 949-639-9608

Fax: (+86) 10-6266-7379
Fax: (+86) 28-8519-3068
Fax: (+1) 949-639-9670

Website: www.ainfoinc.com
Email: sales@ainfoinc.com